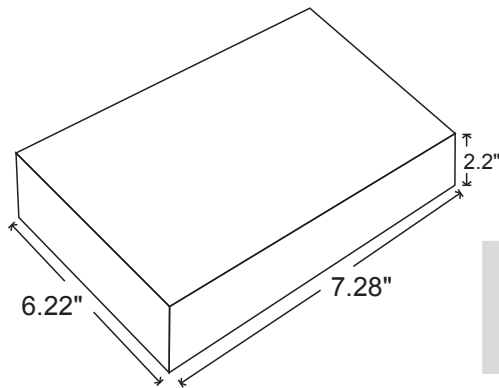


NOTE: CARTON MATERIAL MUST BE A=A

REVISION INFORMATION

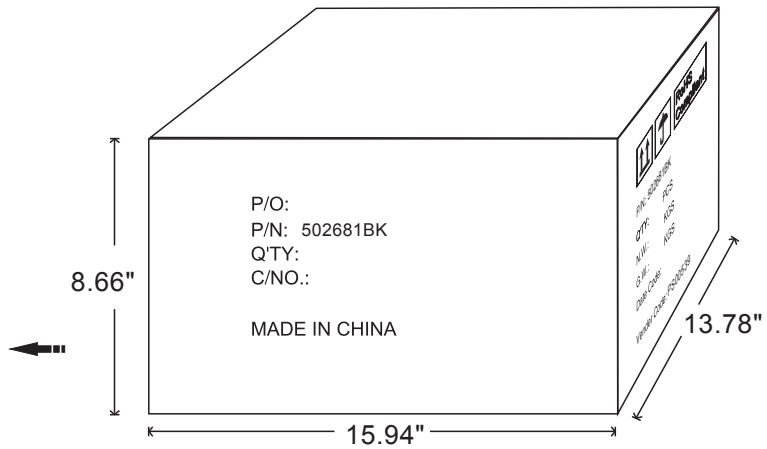
Rev.	Rev. Date	Modified By	Brief Description



Unit package
 Size: 7.28"(L)*6.22"(W)*2.2"(H)
 Weight: 2.97LBS

P/O:
 P/N: 502681BK
 Q'TY:
 C/NO.:

 MADE IN CHINA



Carton Size: 15.94"(L)*13.78"(W)*8.66"(H)
 Carton Quantity: 12pcs
 Carton Weight: 37.84LBS

		RoHS Compliant
P/N: 502681BK		
Q'TY:	PCS	
N.W.:	KGS	
G.W.:	KGS	
Date Code:		
Vender Code:	PS00539	

DRAWN BY	DATE: 2021/1/29	DESCRIPTION: Full Motion TV Wall Mount LDA21-222	
CHECKED BY	SHEET 1 of 2	ITEM NO. 502681BK	
APPROVED BY	SCALE 1:1	REV. 00	UNIT:mm

185x158x56mm

