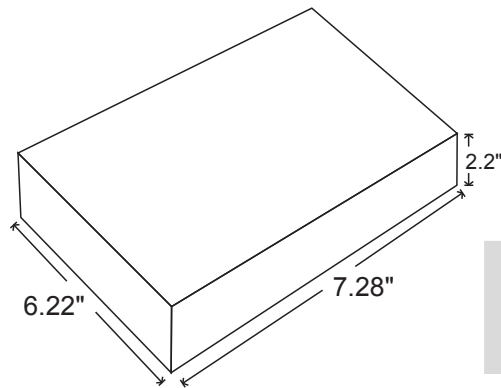


NOTE: CARTON MATERIAL MUST BE A=A

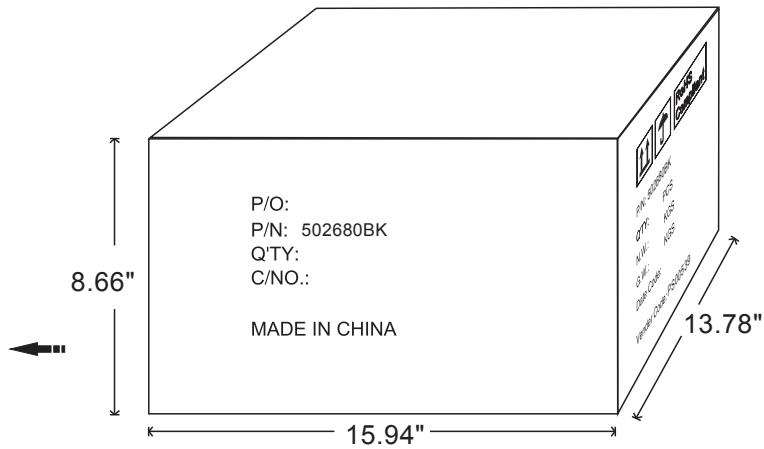
REVISION INFORMATION

Rev.	Rev. Date	Modified By	Brief Description



Unit package  
 Size: 7.28"(L)\*6.22"(W)\*2.2"(H)  
 Weight: 2.376LBS

P/O:  
 P/N: 502680BK  
 Q'TY:  
 C/NO.:  
  
 MADE IN CHINA



Carton Size: 15.94"(L)\*13.78"(W)\*8.66"(H)  
 Carton Quantity: 12pcs  
 Carton Weight: 29.61LBS

**RoHS  
Compliant**

P/N: 502680BK  
 Q'TY: PCS  
 N.W.: KGS  
 G.W.: KGS  
 Date Code:  
 Vender Code: PS00539

DRAWN BY	DATE: 2021/1/29	DESCRIPTION: Full Motion TV Wall Mount LDA21-112
CHECKED BY	SHEET 1 of 2	ITEM NO. 502680BK
APPROVED BY	SCALE 1:1	REV. 00

UNIT:mm