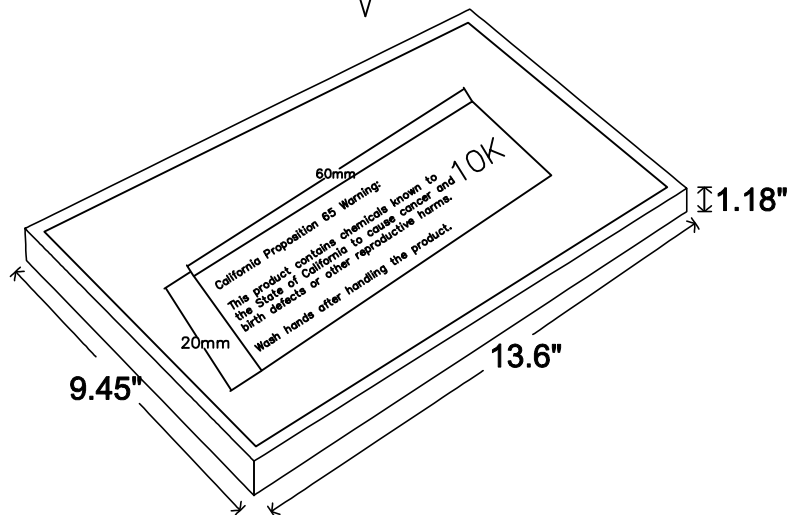
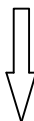
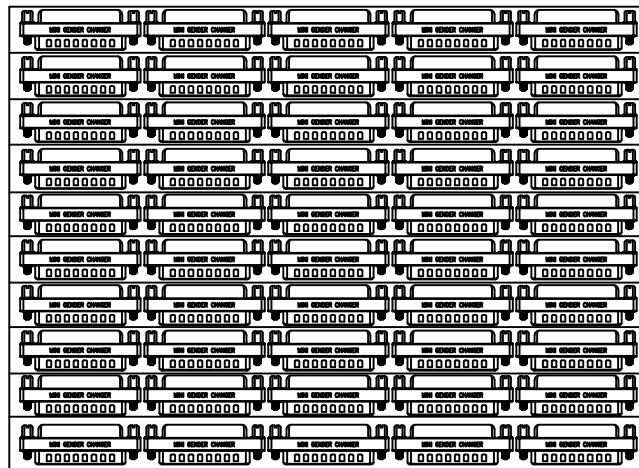


NOTE: CARTON MATERIAL MUST BE A=A

REVISION INFORMATION

Rev.	Rev. Date	Modified By	Brief Description



Blister Box

Unit package

Size: 13.6"(L)*9.45"(W) *1.18"(H)
Weight: 0.11LBS



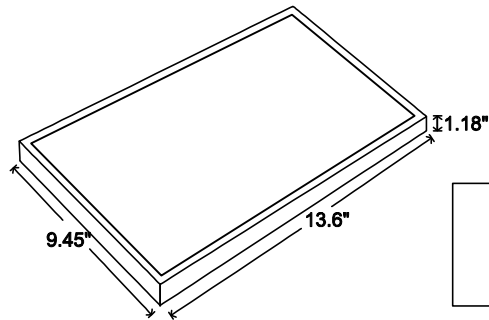
DRAWN BY	DATE: 2016/09/19	DESCRIPTION: DB25 Male/Female Port Saver
CHECKED BY	SHEET 1of2	ITEM NO. 271009
APPROVED BY	SCALE 1:1	REV. 00 UNIT:mm



NOTE: CARTON MATERIAL MUST BE A=A

REVISION INFORMATION

Rev.	Rev. Date	Modified By	Brief Description



Blister Box

Unit package
 Size: 13.6\"(L)*9.45\"(W) *1.18\"(H)
 Weight: 0.11LBS

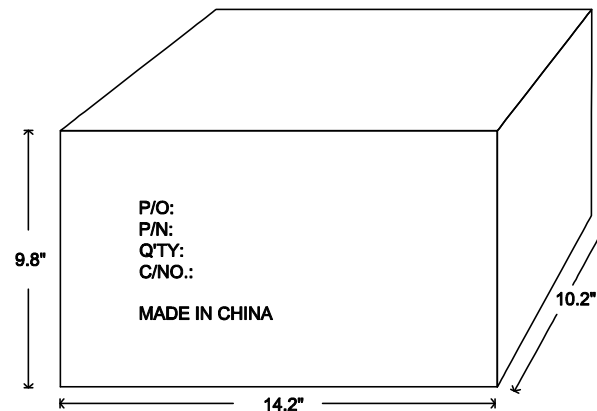
Side Mark

		RoHS Compliant
P/N: 271009		
Q'TY: 500	PCS	
N.W.: 8.32	KGS	
G.W.: 8.92	KGS	
Date Code: 10-2016		
Vender Code: PS 01157		

Main Mark

P/O: 1601785
 P/N: 271009
 Q'TY: 500PCS
 C/NO.: C18

 MADE IN CHINA



P/O:
 P/N:
 Q'TY:
 C/NO.:

 MADE IN CHINA

Carton Size: 14.2\"(L)*10.2\"(W)*9.8\"(H)
 Carton Quantity: 10pcs
 Carton Weight: 0.80 LBS



DRAWN BY	DATE: 2016/09/19	DESCRIPTION: DB25 Male/Female Port Saver
CHECKED BY	SHEET 1of2	ITEM NO. 271009
APPROVED BY	SCALE 1:1	REV. 00 UNIT:mm