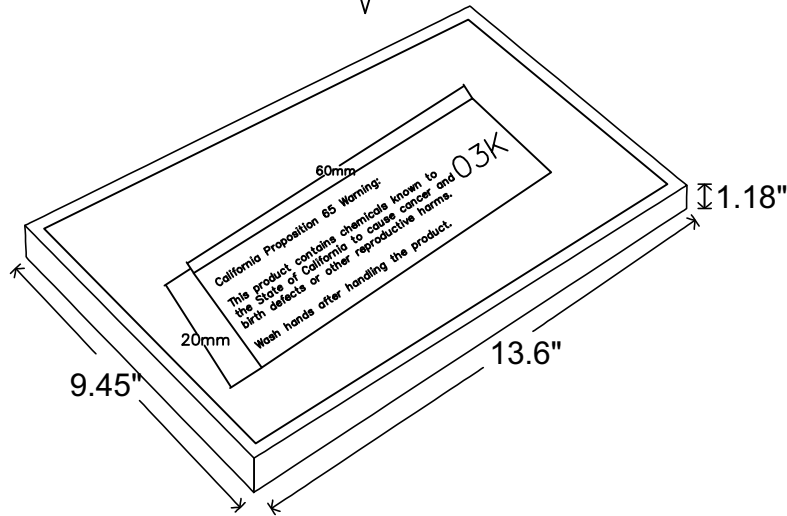
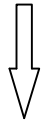
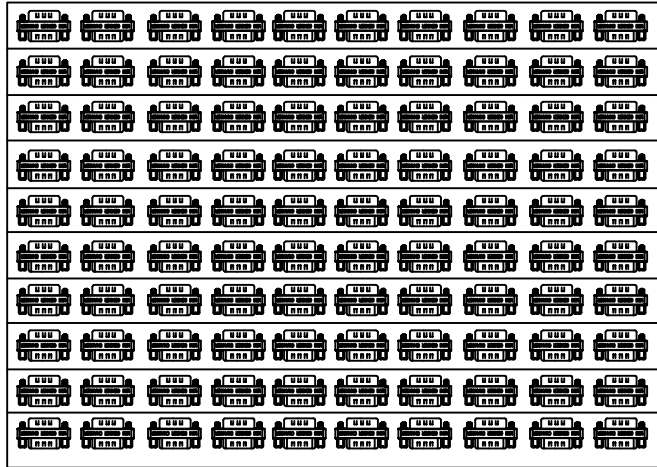



NOTE: CARTON MATERIAL MUST BE A=A



REVISION INFORMATION			
Rev.	Rev. Date	Modified By	Brief Description

Blister Box

Unit package  
 Size: 13.6"(L)\*9.45"(W) \*1.18"(H)  
 Weight: 0.11LBS

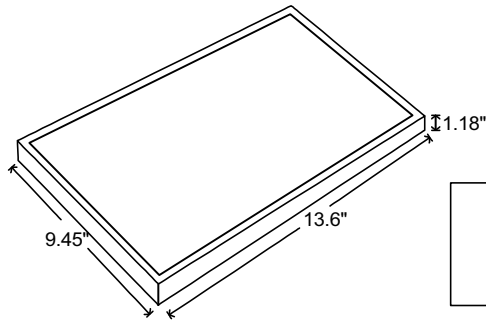


DRAWN BY	DATE: 2016/03/04	DESCRIPTION: DB9 Male/Female Mini Port Saver
CHECKED BY	SHEET 1of2	ITEM NO. 271007
APPROVED BY	SCALE 1:1	REV. 00 UNIT:mm

NOTE: CARTON MATERIAL MUST BE A=A

REVISION INFORMATION

Rev.	Rev. Date	Modified By	Brief Description



Blister Box

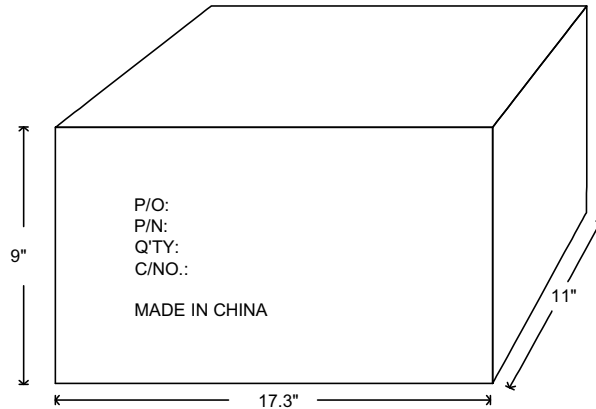
Unit package  
 Size: 13.6"(L)\*9.45"(W) \*1.18"(H)  
 Weight: 0.11LBS

Side Mark

		<b>RoHS Compliant</b>
P/N: 271007		
Q'TY: 1000	PCS	
N.W.: 9.34	KGS	
G.W.: 9.94	KGS	
Date Code: 12-2016		
Vender Code: PS 01157		

Main Mark

P/O: 1600380  
 P/N: 271007  
 Q'TY: 1000PCS  
 C/NO.:  
 MADE IN CHINA



Carton Size: 17.3"(L)\*11"(W)\*9"(H)  
 Carton Quantity: 10pcs  
 Carton Weight: 0.92 LBS

DRAWN BY	DATE: 2016/03/04	DESCRIPTION: DB 9 Male/Female Mini Port Saver
CHECKED BY	SHEET 1of2	ITEM NO. 271007
APPROVED BY	SCALE 1:1	REV. 00 UNIT:mm