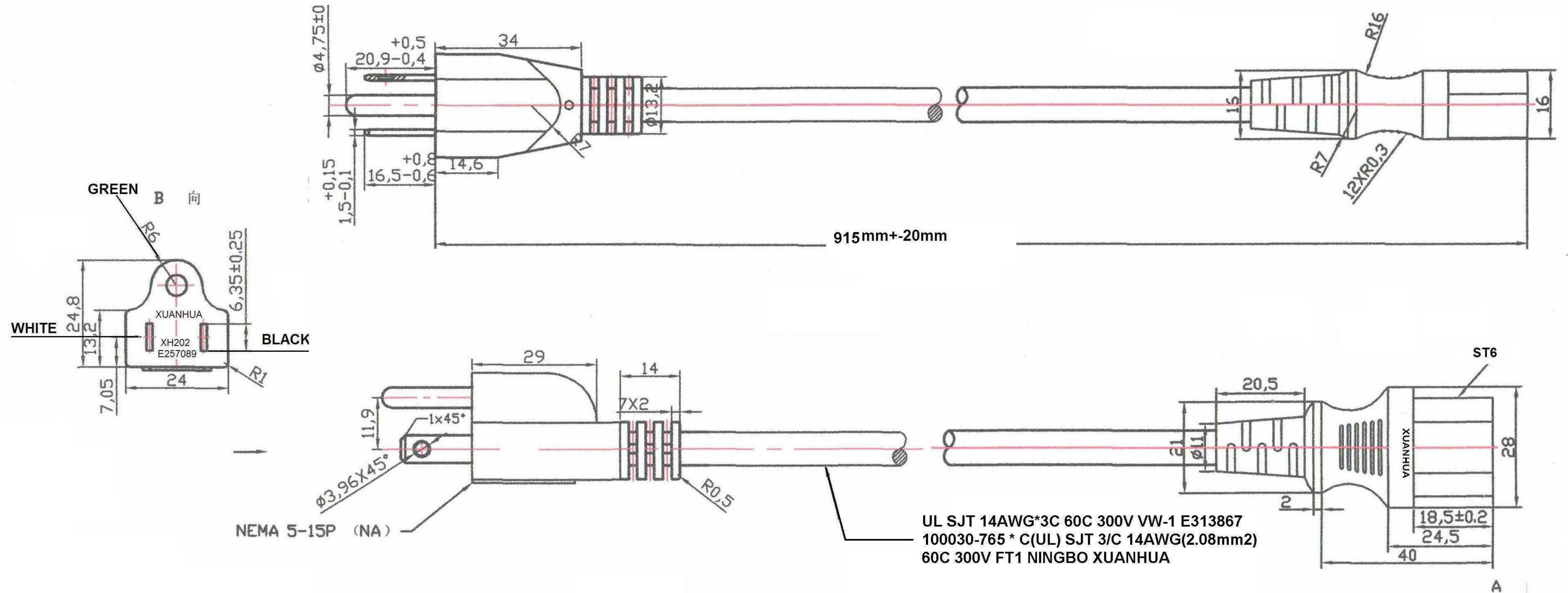
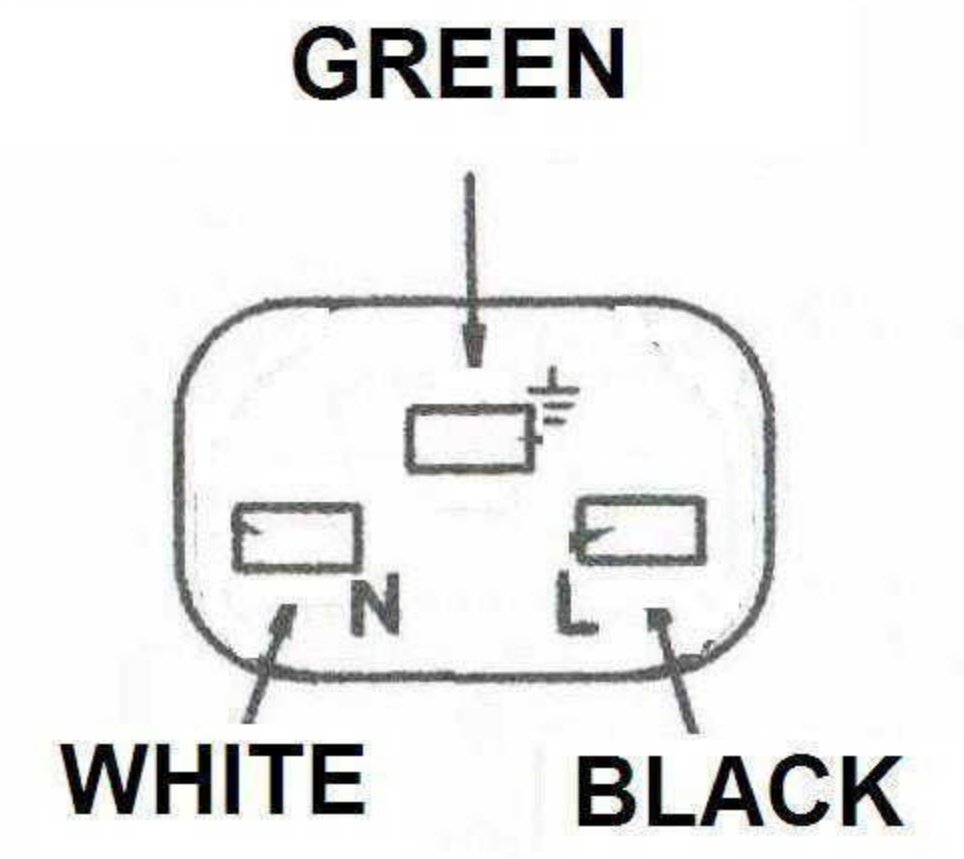
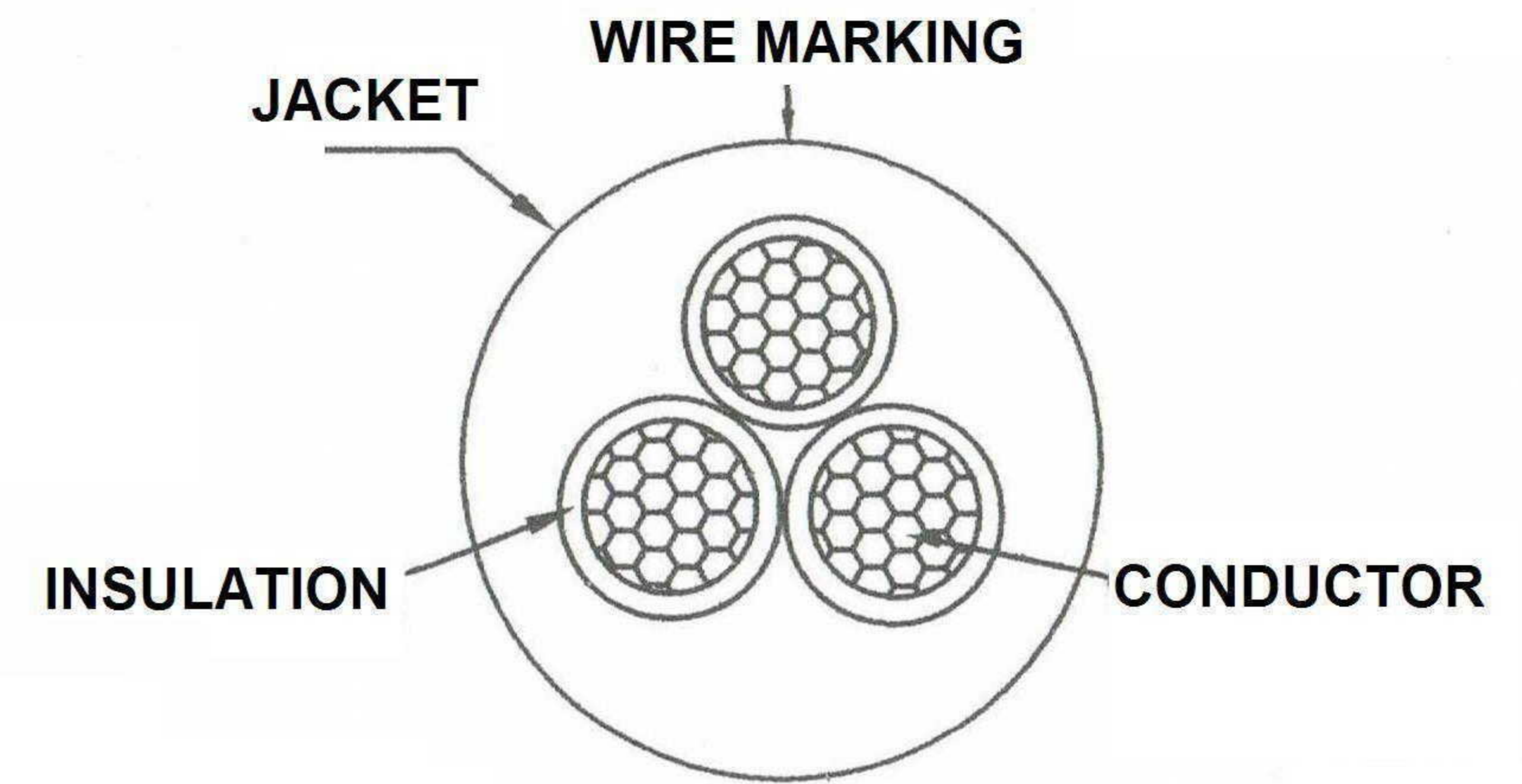


NOTE: ALL MATERIAL COMPLIANT ROHS STANDARD

REVISION INFORMATION			
Rev.	Rev. Date	Modified By	Brief Description
	01-18	zhang	Plug name XH202



UL SJT 14AWG*3C 60C 300V VW-1 E313867
100030-765 * C(UL) SJT 3/C 14AWG(2.08mm²)
60C 300V FT1 NINGBO XUANHUA



Item No	Length (ft)	T (inche)	CONDUCTOR AWG	INSULATION THICKNESS (mm)	SHEATH (mm) THICKNESS	OVERALL DIA.(mm)
210343BK	3	±0.79				
210344BK	6	±0.79				
210345BK	10	±0.79	14AWG 41/0.25	0.76	0.76	9.4 ±0.2

NOTE: If the conductors O.D is go beyond the scope, the resistance of conductor is standard then.

NO.	PART NAME	SPECIFICATION DESCRIPTION	QTY	UNIT
③				
②				
①	Plug Name	Plug Name XH202		

DRAWN BY WANG	DATE: 2016-01-21	DESCRIPTION: 5-15P to C19 Black SJT 14/3
CHECKED BY ZHANG	SHEET 1 of 1	ITEM NO.
APPROVED BY	SCALE 1:1	REV. 00
		UNIT: mm