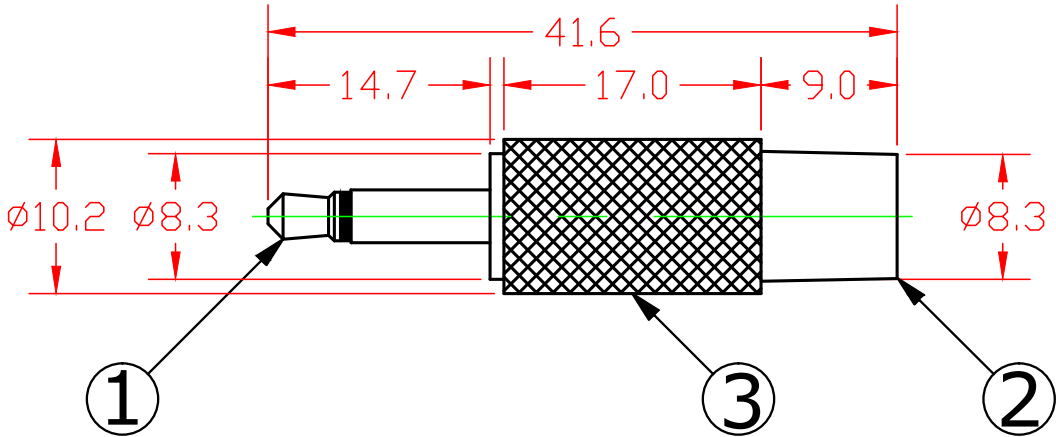


**RoHS
Compliant**

REVISION INFORMATION			
Rev.	Rev. Date	Modified By	Brief Description



CONNECTION



ELECTRICAL TESTING
1. CONDUCTOR RESISTANCE: : ≤5Ω 300V DC



③	Shell	Metal-Gold Plated	1	PC
②	RCA Female	RCA Female-Gold Plated	1	PC
①	3.5 Mono Male	3.5 Mono Male-Gold Plated	1	PC
NO.	PART NAME	SPECIFICATION DESCRIPTION	Q'TY	UNIT

DRAWN BY	DATE: 2014/04/21	DESCRIPTION: 3.5mm Mono Plug to RCA Jack Adapter Gold Plated	
CHECKED BY	SHEET 1 of 1	ITEM NO. 201303	
APPROVED BY	SCALE 1:1	REV. 00	UNIT: mm