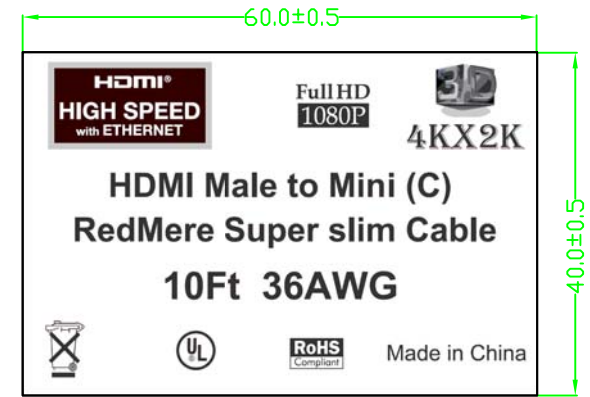
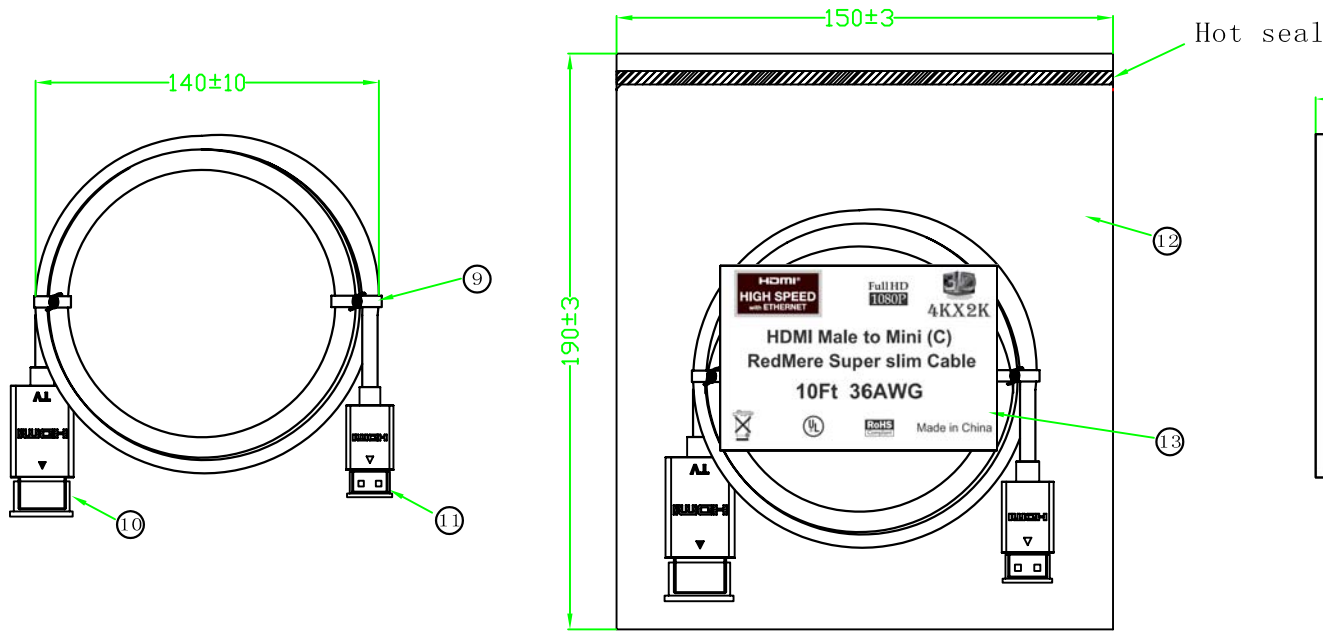


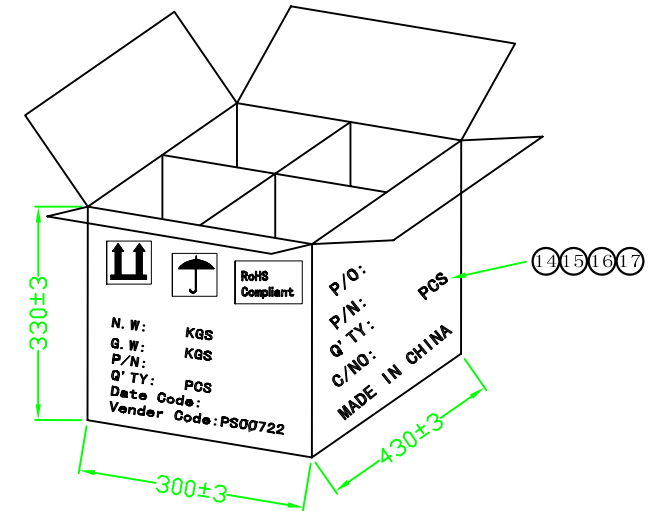
NOTE:ALL MATERIAL COMPLIANT ROHS STANDARD

REVISION INFORMATION			
Rev.	Rev.Date	Modified By	Brief Description



NOTE:

- 1.PCS/PE BAG.
- 2.Per PE bag with 1pcs sticker.
3. 160pcs/carton, Paperboard:3pcs, Knife card bulkhead:2sets



NO.	PART NAME	SPECIFICATION DESCRIPTION	QTY	UNIT
⑦	Knife card bulkhead	280*150mm (A=A)	2/160	PCS
⑧	Knife card bulkhead	410*150mm (A=A)	2/160	PCS
⑨	PAPERBOARD	410*280 (B3B)	3/160	PCS
⑩	CARTON	430*300*300mm (K=K) Z-U026	1/160	PCS
⑪	IABLE	HKET750PBB/Z-U026 10FT (3.05M) 36AWG 80g copperplate paper, size: 60*40mm	1	PCS
⑫	PE BAG	SIZE:150*190*10.08mm	1	PCS
⑬	CAP	HDMI C TYPE (PE:LDPE NATURE)	1	PCS
⑭	CAP	HDMI A TYPE (PE:LDPE NATURE)	1	PCS
⑮	MIN TIES	PVC/BLACK L=100mm	2	PCS

DRAWN BY <i>Joey.Chen</i>	DATE: 2013.10.28	DESCRIPTION: HDMI A/M to C/M CABLE 10FT	
CHECKED BY	SHEET 2 of 2	ITEM NO. 181314	
APPROVED BY	SCALE RE.	REV.00	UNIT:mm