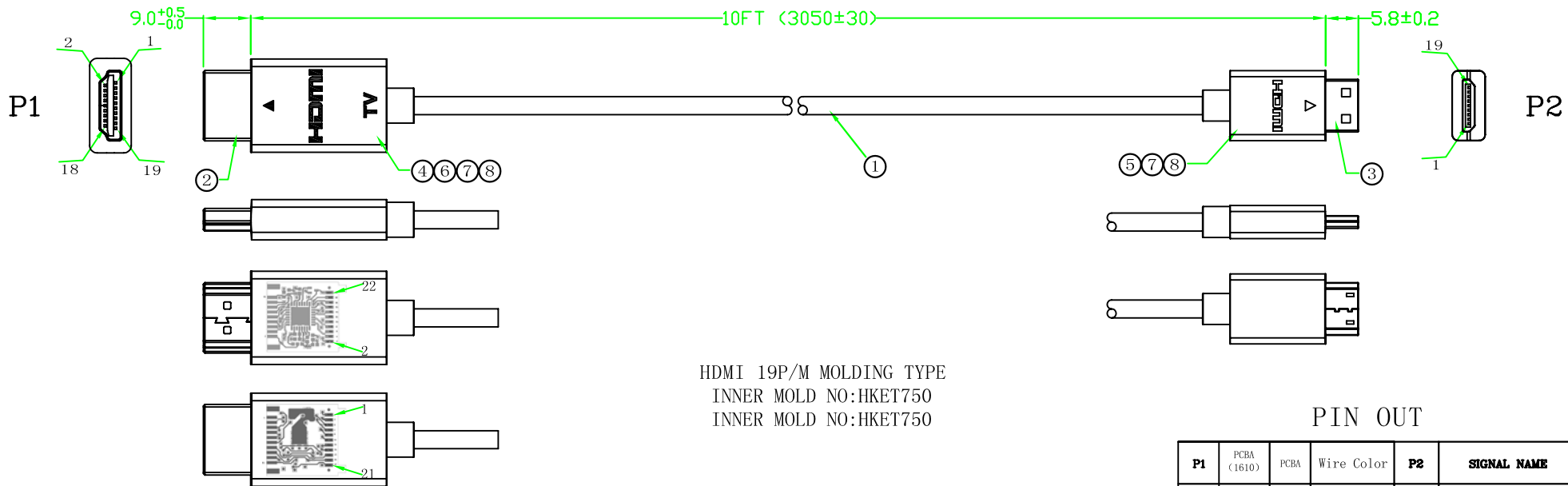


NOTE:ALL MATERIAL COMPLIANT ROHS STANDARD

REVISION INFORMATION			
Rev.	Rev.Date	Modified By	Brief Description




HDMI 19P/M MOLDING TYPE
 INNER MOLD NO:HKET750
 INNER MOLD NO:HKET750

PIN OUT

P1	PCBA (1610)	PCBA	Wire Color	P2	SIGNAL NAME
1		4	RED	2	TMDS Data2+
3		6	WHITE	3	TMDS Data2-
2		2	D.W	1	TMDS Data2 Shield
4		8	BROWN	5	TMDS Data1+
6		10	WHITE	6	TMDS Data1-
5		9	D.W	4	TMDS Data1 Shield
7		12	BLUE	8	TMDS Data0+
9		14	WHITE	9	TMDS Data0-
8		11	D.W	7	TMDS Data0 Shield
10		16	GREEN	11	TMDS Clock+
12		18	WHITE	12	TMDS Clock-
11		15	D.W	10	TMDS Clock- Shield
13		17	RED	14	CEC
14		5	BLACK	17	UTILITY
19		7	WHITE	19	Hot Plug Detect
17		3	D.W	13	DDC/CED Ground
15		19	YELLOW	15	SCL
16		20	PURPLE	16	SDA
18		13	WHITE	18	+5V Power
SHELL		SHELL	D.W	SHELL	

1. ELECTUONICAL TEST:
 (1).100% OPEN SHORT & MISS WIRE TEST
 (2).100% TV TEST
 2. ROHS compliant

NO.	PART NAME	SPECIFICATION DESCRIPTION	QT'Y	UNIT
⑧	PVC	60P PVC BLACK (BK0101)	0.008	KG
⑦	PE	PE:LDPE NATURE	0.005	KG
⑥	IL S TUBE	∅1.0mm*L26mm BLACK SUPER THIN	1	PCS
⑤	IL S TUBE	∅1.0mm*L16mm BLACK SUPER THIN	1	PCS
②	CHIP	HKET0101RM SMT (RedMere 1610)	1	SET
③	HDMI CONN	HDMI C TYPE 19P/M, GOLD PLATED 3U", SHELL GOLD PLATED 1U" SOLDER	1	PCS
④	HDMI CONN	HDMI A Type 19PIN Mate PCB solder,Black housing,Contact Golden plated 3U,shell golden plated 1U	1	PCS
①	HDMI CABLE	CABLE:(36#7/0.05mmTC*1P+D1/0.16TC AM)*5+36#*4C+AB(16#5 /0.06TC) PVC JACKET:BLACK OD: 3.6MM, V1.4	3.08	M



BestLinkNetware

DRAWN BY <i>Joey.Chen</i>	DATE: 2013.10.28	DESCRIPTION: HDMI A/M to C/M CABLE 10FT
CHECKED BY	SHEET 1 of 2	ITEM NO. 181314
APPROVED BY	SCALE 1:1	REV.00 UNIT:mm