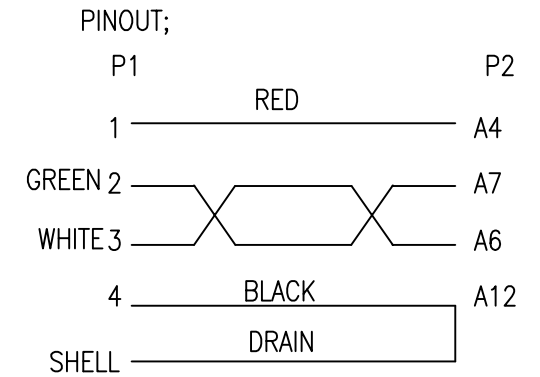
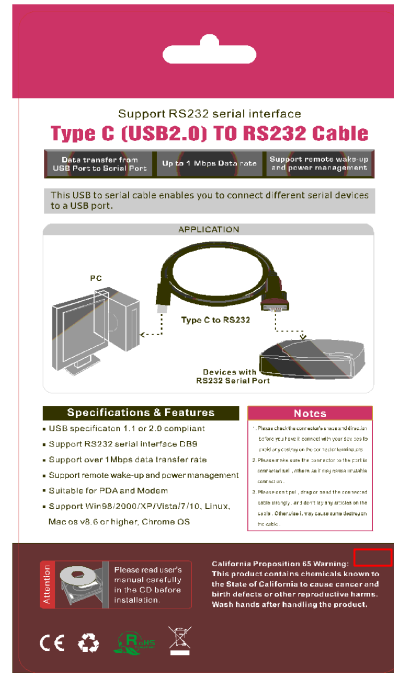
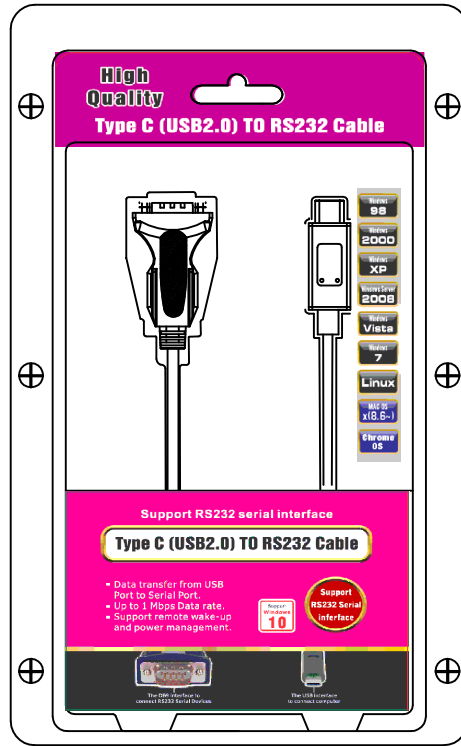
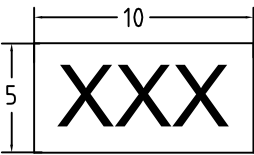
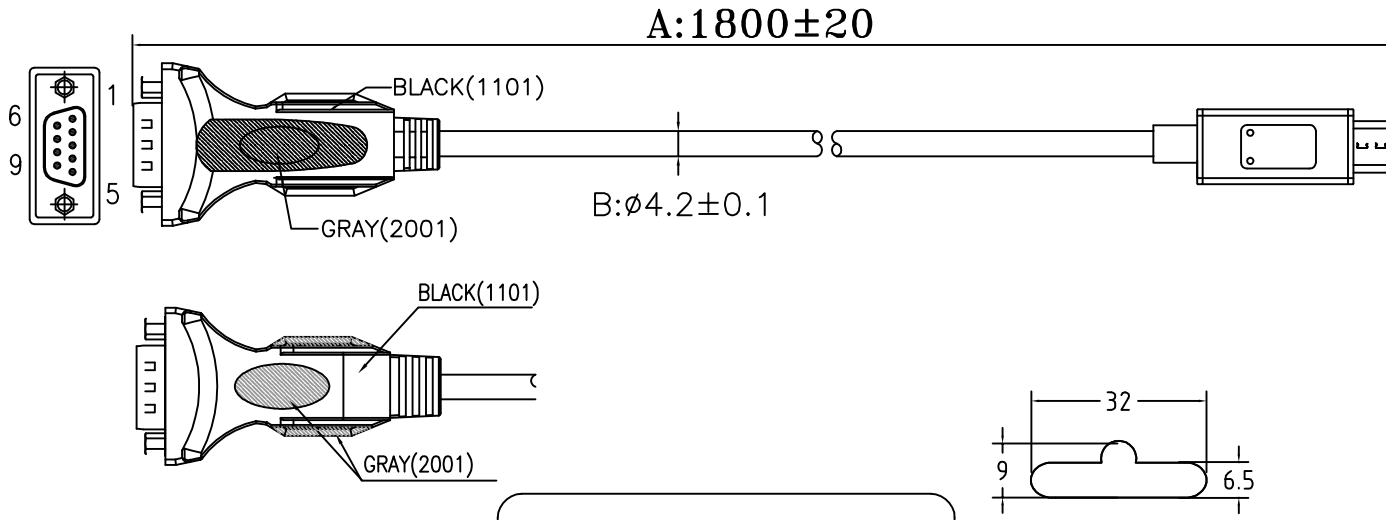


NOTE: ALL MATERIAL COMPLIANT ROHS STANDARD

REVISION INFORMATION			
Rev.	Rev. Date	Modified By	Brief Description



NOTES:

- 1) PRIMARY DIM: A. B
- 2) RoHS compliant.

NO.	PART NAME	SPECIFICATION DESCRIPTION	QTY	UNIT
③		USB2.0 TO RS232 PCBA(VD508) RoHS		
②		USB2.0 C/M BLACK PIN G/F SHELL NI (5.1KΩ)W/PCB(VD1138) RoHS		
①		USB2.0 28#1P+24#2C+AEB(32AM) OD:4.2MM BLACK(1101) 1800M ROHS		

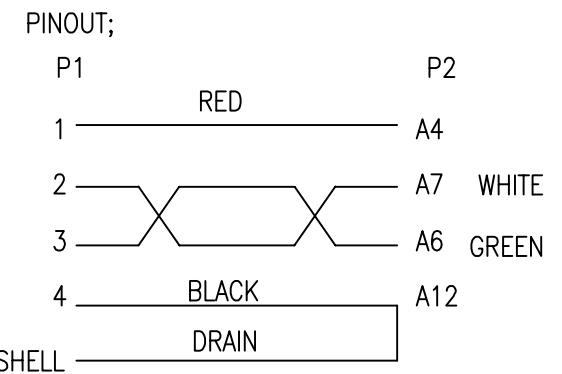
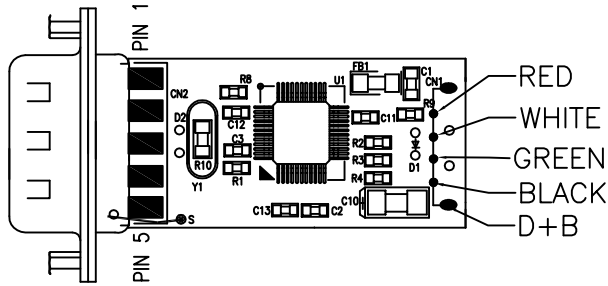
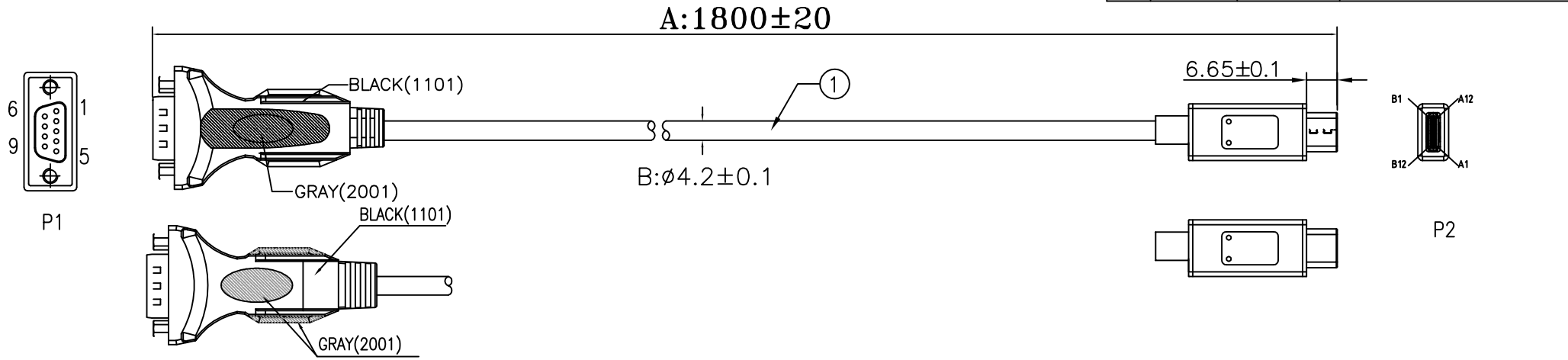
Unless specified on the drawing, tolerances are per the following:

.	+1
.X	+0.2
.X	+0.05

DRAWN BY	DATE: 2018/01/29	DESCRIPTION: TYPE C(USB2.0) TO RS232 CABLE
CHECKED BY	SHEET 1 of 3	ITEM NO. 150486
APPROVED BY	SCALE 1:1	REV. 00 UNIT: mm

NOTE: ALL MATERIAL COMPLIANT ROHS STANDARD

REVISION INFORMATION			
Rev.	Rev. Date	Modified By	Brief Description



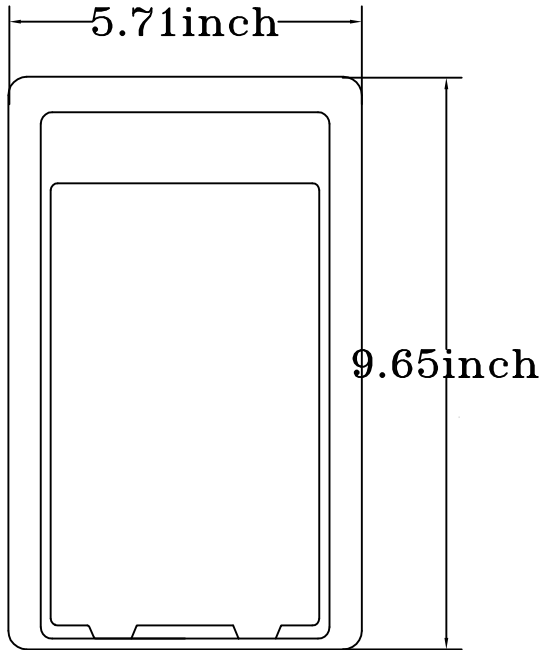
- NOTES:
- 1) PRIMARY DIM: A. B
 - 2) RoHS compliant.



③		USB2.0 TO RS232 PCBA(VD508) RoHS			Unless specified on the drawing, tolerances are per the fo llows: . +1 .x +0.2 .x +0.05	DRAWN BY	DATE: 2018/01/29	DESCRIPTION: TYPE C(USB2.0) TO RS232 CABLE
②		USB2.0 C/M BLACK PIN G/F SHELL NI (5.1KQ)W/PCB(VD1138) RoHS				CHECKED BY	SHEET 2 of 3	ITEM NO. 150486
①		USB2.0 28#1P+24#2C+AEB(32AM) OD:4.2MM BLACK(1101) 1800M ROHS				APPROVED BY	SCALE 1:1	REV. 00 UNIT: mm
NO.	PART NAME	SPECIFICATION DESCRIPTION	QTY	UNIT				

NOTE: ALL MATERIAL COMPLIANT ROHS STANDARD

REVISION INFORMATION			
Rev.	Rev. Date	Modified By	Brief Description

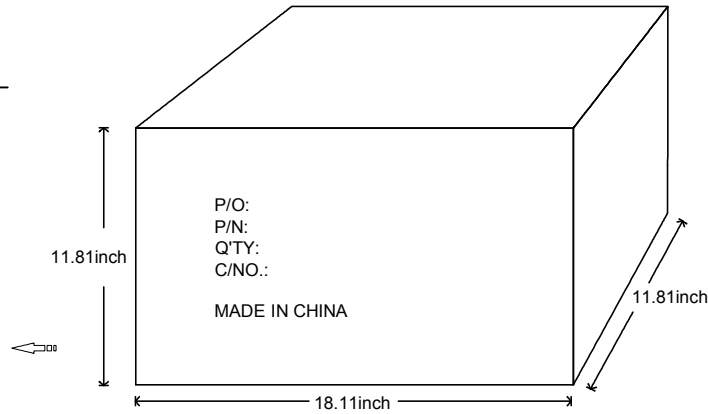


Unit package
 Size: 9.65(L)*5.71(W) inch
 Weight: 0.032 LBS

		RoHS Compliant
P/N: 150484		
Q'TY: 30PCS		
N.W.: 2.85	KGS	
G.W.: 6.11	KGS	
Date Code:		
Vender Code: PS00775		

Main Mark

P/O:
 P/N: 150484
 Q'TY: 30PCS
 C/NO.: C1.C2.C3...
 MADE IN CHINA



Carton Size: 18.11(L)*11.81(W)*11.81(H)inch
 Carton Quantity: 30PCS
 Carton Weight: 1.26 LBS

NOTES:

- 1) PRIMARY DIM: A. B
- 2) RoHS compliant.



NO.	PART NAME	SPECIFICATION DESCRIPTION	QTY	UNIT
③				
②				
①				

Unless specified on the drawing, tolerances are per the fo llows:
 . +1
 .x +0.2
 .x +0.05

DRAWN BY	DATE: 2018/01/29	DESCRIPTION: TYPE C(USB2.0) TO RS232 CABLE
CHECKED BY	SHEET 3 of 3	ITEM NO. 150486
APPROVED BY	SCALE 1:1	REV. 00 UNIT: mm