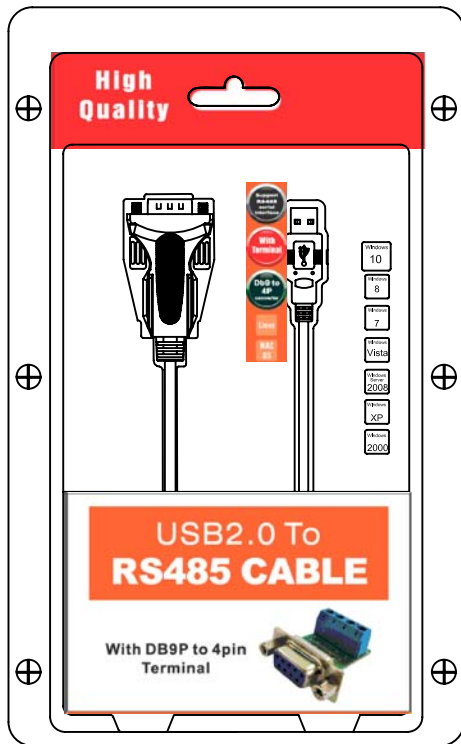
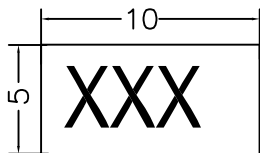
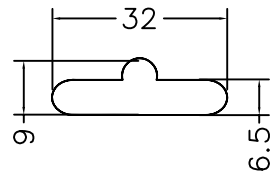
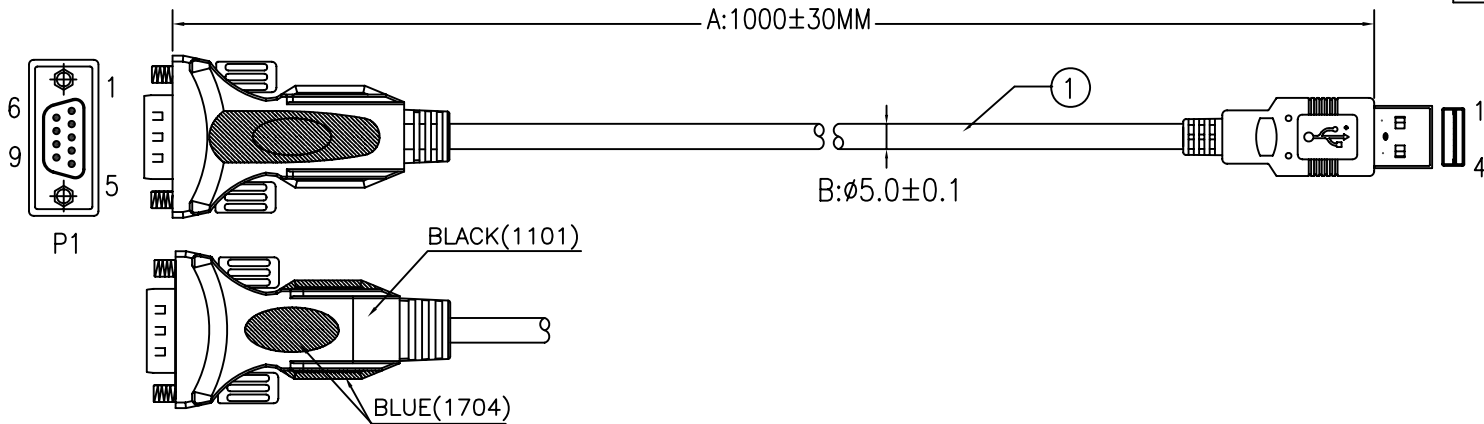
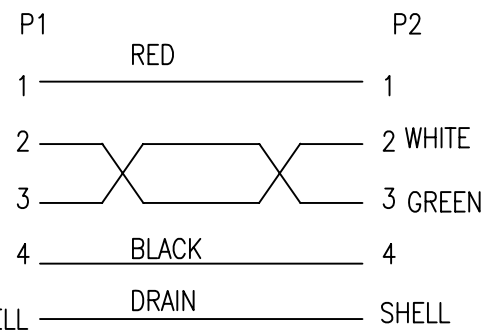


NOTE: ALL MATERIAL COMPLIANT ROHS STANDARD

REVISION INFORMATION			
Rev.	Rev. Date	Modified By	Brief Description



PINOUT;



- NOTES:
- 1) PRIMARY DIM: A. B
  - 2) RoHS compliant.

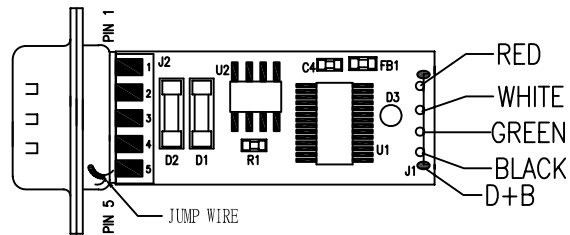
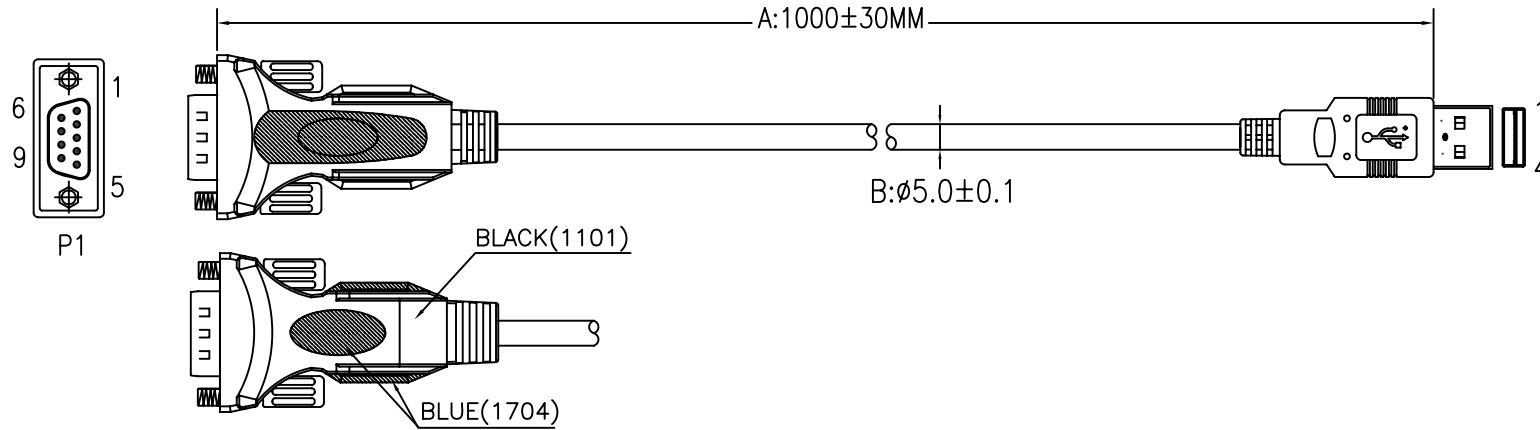
NO.	PART NAME	SPECIFICATION DESCRIPTION	QTY	UNIT
④		USB2.0 TO RS485 W/Terminal station 1*4PIN PCB W/NUTS RoHS		
③		USB2.0 TO RS485 PCB(VD715-2) RoHS		
②		USB2.0 A/M WHITE SOLDOR TYPE RoHS		
①		USB2.0 28#1P+24#2C+A+B(32B AM)+D(BA) OD: 5.0MM BLACK(1101) 1000MM RoHS		

Unless specified on the drawing, tolerances are per the follows:  
 . +1  
 .x +0.2  
 .x +0.05

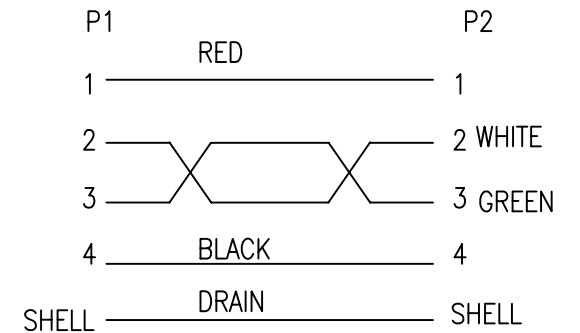
DRAWN BY	DATE: 2017/09/04	DESCRIPTION: <b>USB2.0 TO RS485 CABLE</b>
CHECKED BY	SHEET 1 of 3	ITEM NO. 150485
APPROVED BY	SCALE 1:1	REV. 00 UNIT: mm

NOTE: ALL MATERIAL COMPLIANT ROHS STANDARD

REVISION INFORMATION			
Rev.	Rev. Date	Modified By	Brief Description



PINOUT;



NOTES:

- 1) PRIMARY DIM: A, B
- 2) RoHS compliant.



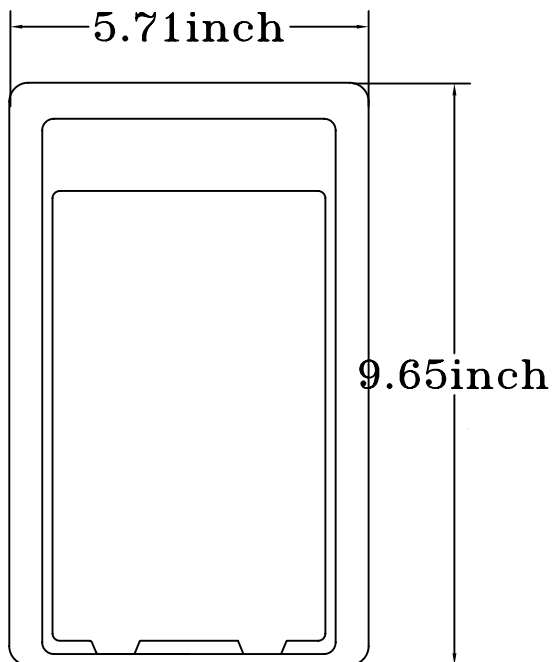
④		USB2.0 TO RS485 W/Terminal station 1*4PIN PCB W/NUTS RoHS			
③		USB2.0 TO RS485 PCB(VD715-2) RoHS			
②		USB2.0 A/M WHITE SOLDOR TYPE RoHS			
①		USB2.0 28#1P+24#2C+A+B(32B AM)+D(BA) OD: 5.0MM BLACK(1101) 1000MM RoHS			
NO.	PART NAME	SPECIFICATION DESCRIPTION	QTY	UNIT	

Unless specified on the drawing, tolerances are per the fo llows:  
 .x +1  
 .x +0.2  
 .x +0.05

DRAWN BY	DATE: 2017/09/04	DESCRIPTION: <b>USB2.0 TO RS485 CABLE</b>
CHECKED BY	SHEET 2 of 3	ITEM NO. 150485
APPROVED BY	SCALE 1:1	REV. 00 UNIT: mm

NOTE: ALL MATERIAL COMPLIANT ROHS STANDARD

REVISION INFORMATION			
Rev.	Rev. Date	Modified By	Brief Description

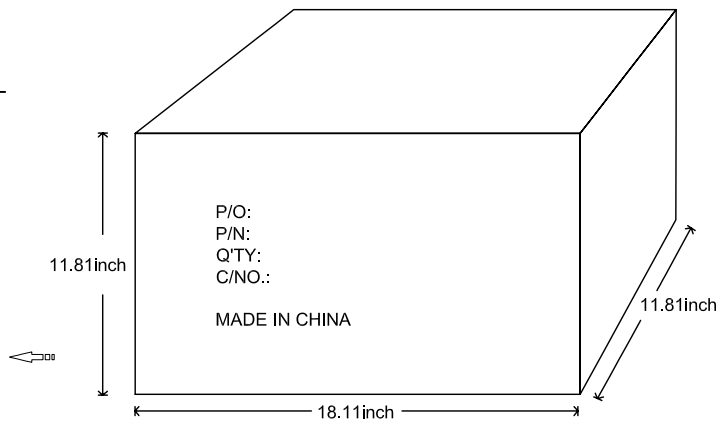


Unit package  
 Size: 9.65(L)\*5.71(W) inch  
 Weight: 0..032 LBS

		<b>RoHS Compliant</b>
P/N: 150485		
Q'TY: 30PCS		
N.W.: 2.25	KGS	
G.W.: 5.5	KGS	
Date Code:		
Vender Code: PS00775		

Main Mark

P/O:  
 P/N: 150485  
 Q'TY: 30PCS  
 C/NO.: C1.C2.C3...  
 MADE IN CHINA



Carton Size: 18.11(L)\*11.81(W)\*11.81(H)inch  
 Carton Quantity: 30PCS  
 Carton Weight: 1.26 LBS



NO.	PART NAME	SPECIFICATION DESCRIPTION	QTY	UNIT
③				
②				
①				

Unless specified on the drawing, tolerances are per the fo llows:  
 . +1  
 .x +0.2  
 .x +0.05

DRAWN BY	DATE: 2017/09/04	DESCRIPTION: <b>USB2.0 TO RS485 CABLE</b>
CHECKED BY	SHEET 3 of 3	ITEM NO. 150485
APPROVED BY	SCALE 1:1	REV. 00 UNIT: mm