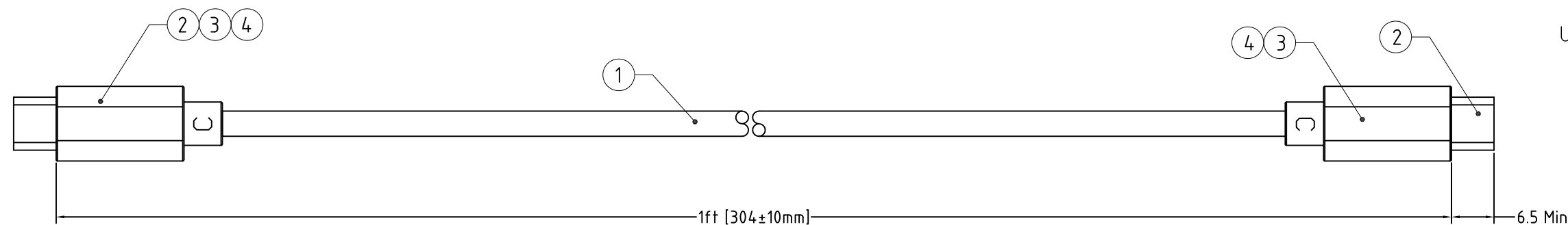
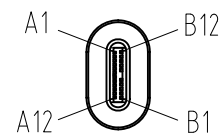


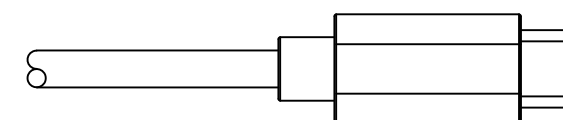
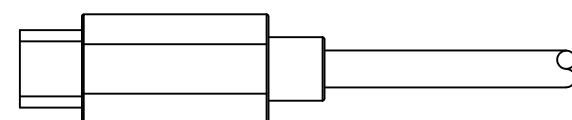
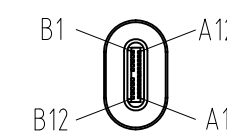
NOTE:ALL MATERIAL COMPLIANT ROHS STANDARD

REVISION INFORMATION			
Rev.	Rev. Date	Modified By	Brief Description
1.0	2021/04/13	Darrick	Change Label

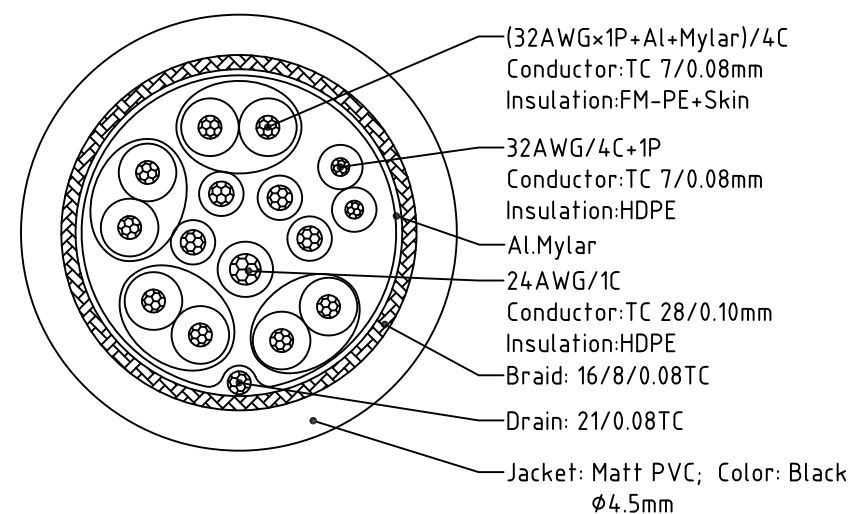
USB 3.1 C Type



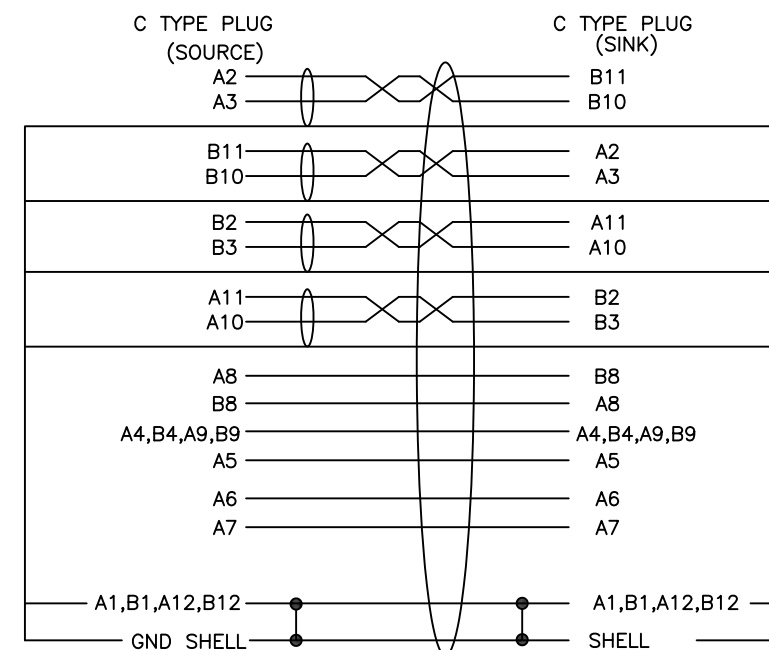
USB 3.1 C Type



Wire Details



PIN ASSIGNMENT



Electrical character:

- 1)100% Open/short/Intermittent testing
- 2)Withstanding voltage:AC/DC 300V AT 10ms.
- 3)Insulation resistance:5M Ohm(min)
- 4)Conductive resistance:2 Ohm(max)
- 5)Support:10Gbps
- 6)Support:65W,20V/3.25A

NO.	PART NAME	SPECIFICATION DESCRIPTION	QT'Y	UNIT
①	Cable	(32#TC/1P+AL+Mylar)/4C+32#TC/1P+32#TC/4C+24TC/1C+AL+D+B,PVC,black,OD4.5mm	-	MM
②	Conn	USB C Type Plug G/F Plated, Insulator-Black,Shell Nickel plated	2	PCS
③	Innermold	PE,Low density	N/A	g
④	Overmold	PVC,45Pa,black,UL94V-0	N/A	g

Unless specified on the drawing, tolerances are per the follows:

.	+1
.x	+0.2
.xx	+0.05

DRAWN BY	DATE: 2021/04/13	DESCRIPTION: USB TYPE C TO TYPE C CABLE
CHECKED BY	SHEET 1of2	ITEM NO. 150185
APPROVED BY	SCALE None	REV. 1.0 UNIT:mm