

NOTE: CARTON MATERIAL MUST BE A=A

REVISION INFORMATION			
Rev.	Rev. Date	Modified By	Brief Description

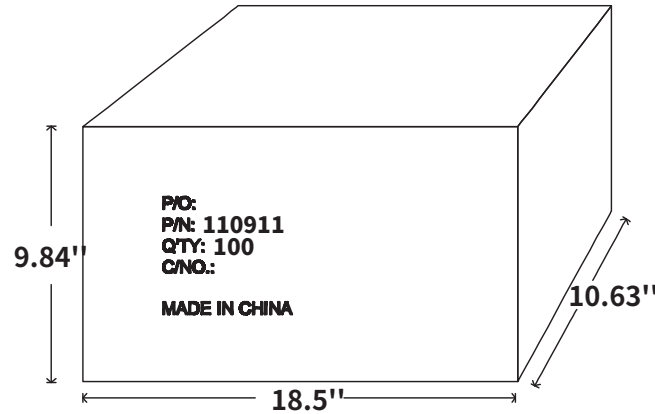


Main Mark

Unit package
Size: 8.85"(L)*5.11"(W)
Weight: 0.078KGS

Side Mark

		RoHS Compliant
P/N: 110911		
Q'TY: 100	PCS	
N.W.: 8.05	KGS	
G.W.: 8.55	KGS	
Date Code:		
Vender Code: PS00907		



Carton Size: 18.5" (L)10.63" (W)9.84" (H)
Carton Quantity: 100/pcs
Carton Weight: 8.55KGS

DRAWN BY	DATE: 2016/6/12	DESCRIPTION: HDMI TO VGA		
CHECKED BY	SHEET 2of2	ITEM NO.	110911	
APPROVED BY	SCALE 1:1	REV. 00	UNIT:mm	