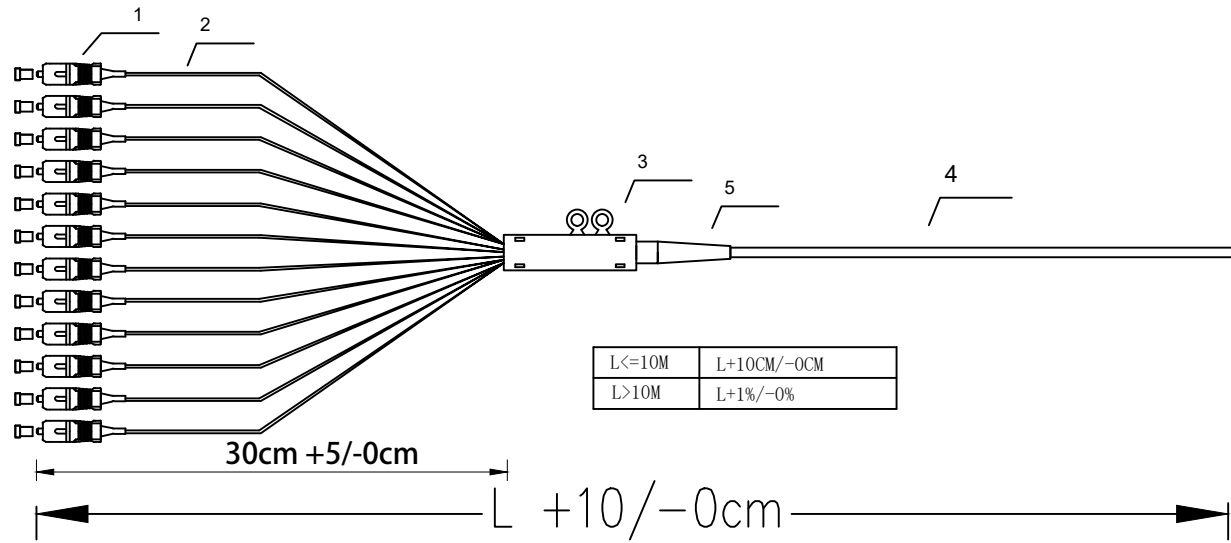
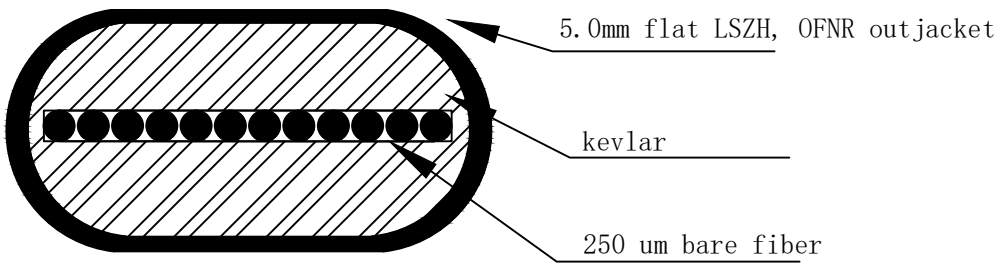


REV.	ECN.	NO.	APPD.
A			



L ≤ 10M	L + 10CM / -0CM
L > 10M	L + 1% / -0%



- NOTE:
- 1 cable print : company standard
  - 2 IL: 1310nm/1550nm: ≤ 0.25dB  
RL: 1310nm/1550nm: ≥ 50dB
  - 3 3D test : 80% pass IEC 61755-3-2  
Radius : 5~12mm/7~25mm  
Apex offset: 0~70 um  
Fiber height: ±100nm
  - 4 End face : IEC 61300-3-35
  - 5 operation temperature: -40°C ~ +85°C
  - 6 packing: 1 pcs put it in 1 blister box

07	0	0	pcs
06	0	0	pcs
05	F7 mm heatshrink tube without glue L= 5cm	1	pcs
04	5.0mm yellow SM G657a1 12c bare cable	/	M
03	black fanout kit (plastic)	1	pcs
02	12 color 0.9mm cable tube L= 58cm	1	set
01	sc upc 0.9mm blue conn	12	pcs
NO.	DESCRIPTION	Q'TY	UNIT

NAME (INTENDED USE)					
MANUFACTURE					
PART NO. (INTENDED USE)		TITLE:			
NO		SC UPC 12core Flat ribbon FANout pigtail			
APPD:		DWG NO.:			
CHKD:		VF-200203-001			
DR: August			SCALE	SHEET	REV.
		1:1	1/1	A	