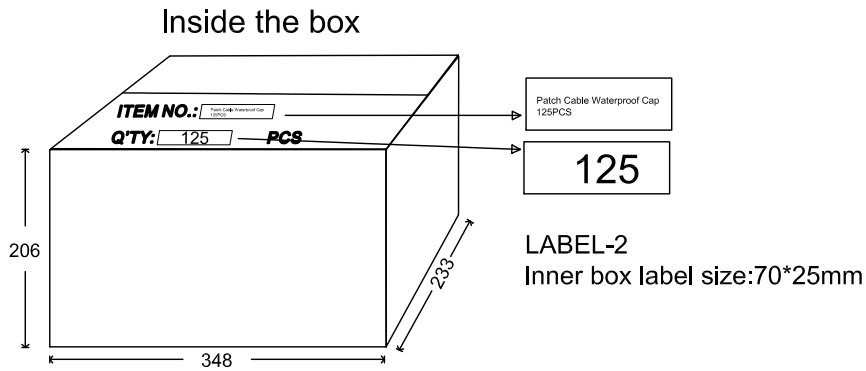
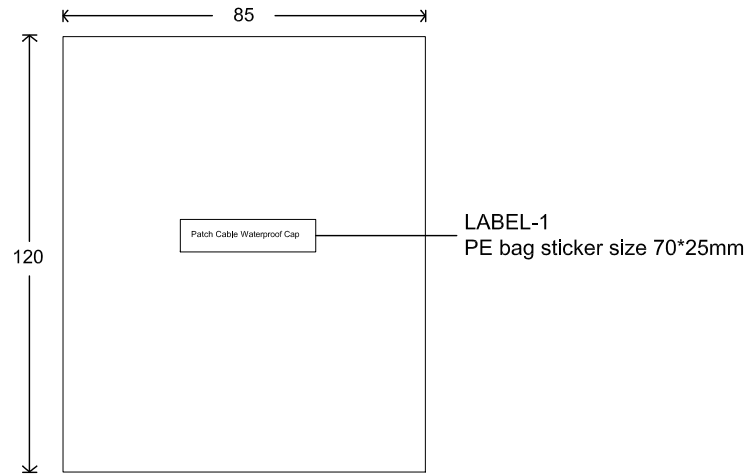


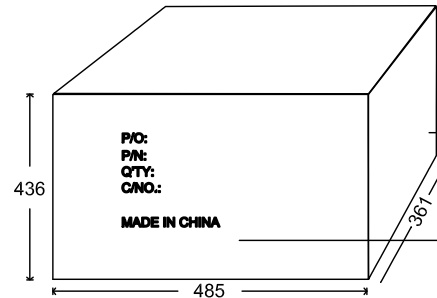
NOTE: CARTON MATERIAL MUST BE A=A

REVISION INFORMATION

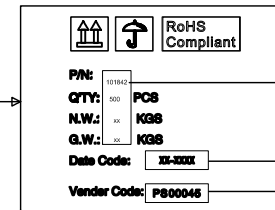
Rev.	Rev. Date	Modified By	Brief Description



Outside the box



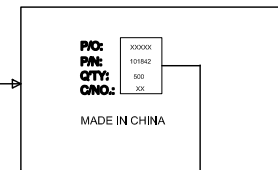
Side Mark



LABEL-3
Box label size 90*120mm

LABEL-4
Box label size 70*25mm

Main Mark



LABEL-5
Box label size 90*120mm



NO.	PART NAME	SPECIFICATION DESCRIPTION	QTY	UNIT
③				
②				
①				

Unless specified on the drawing, tolerances are per the follows:
 .x +1
 .x +0.2
 .xx +0.05

DRAWN BY	DATE: 2015/08/11	DESCRIPTION: Patch Cable Waterproof Cap
CHECKED BY	SHEET 1of2	ITEM NO. 101842
APPROVED BY	SCALE 1:1	REV. 00 UNIT:mm