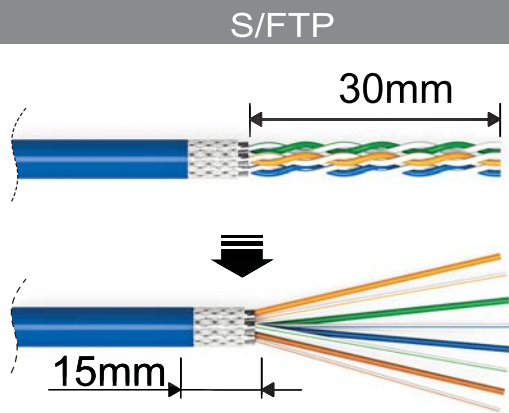
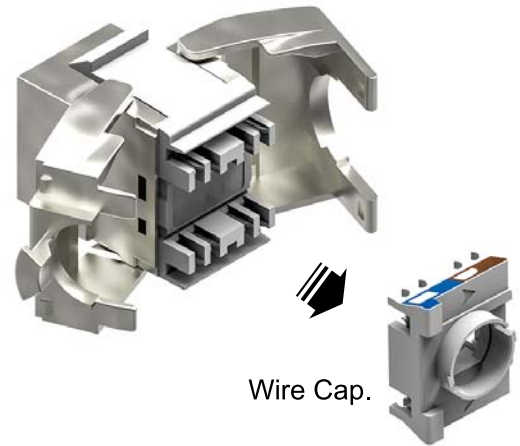


1

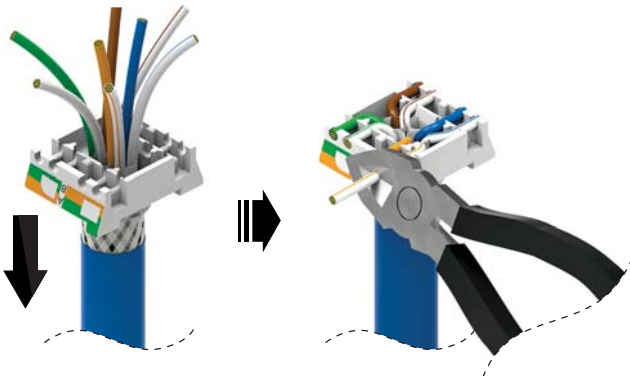
Remove about 3cm of the cable sheath. Keep the cable braid(foil) about 15mm.

**2**

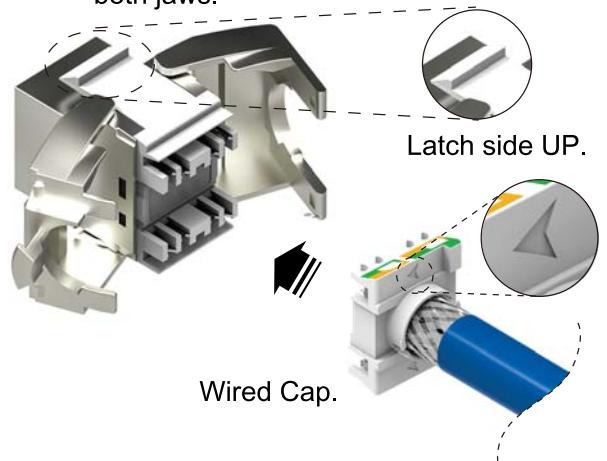
Release the Cap.

**3**

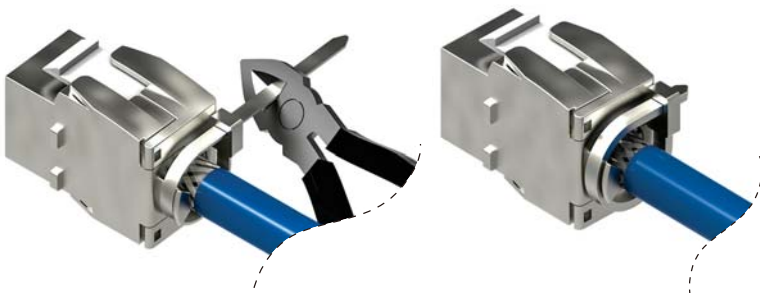
Reeve the cable end through the cap. Seat each colour coded wire in to the matching colour coded cap position. And use wire-cutter to trim off excess wire.

**4**

Ensure the Wire Cap follows relative position as the Latch and cover it with both jaws.

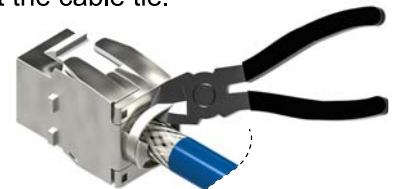
**5**

Thread the supplied cable tie through and then secure the braided shield by tightening it up & cut the cable tie.



Disconnection

1. Cut the cable tie.



2. Insert a flat screw driver to unlock.

