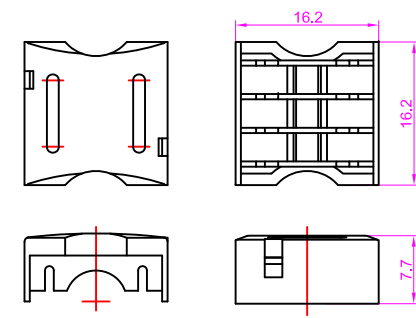
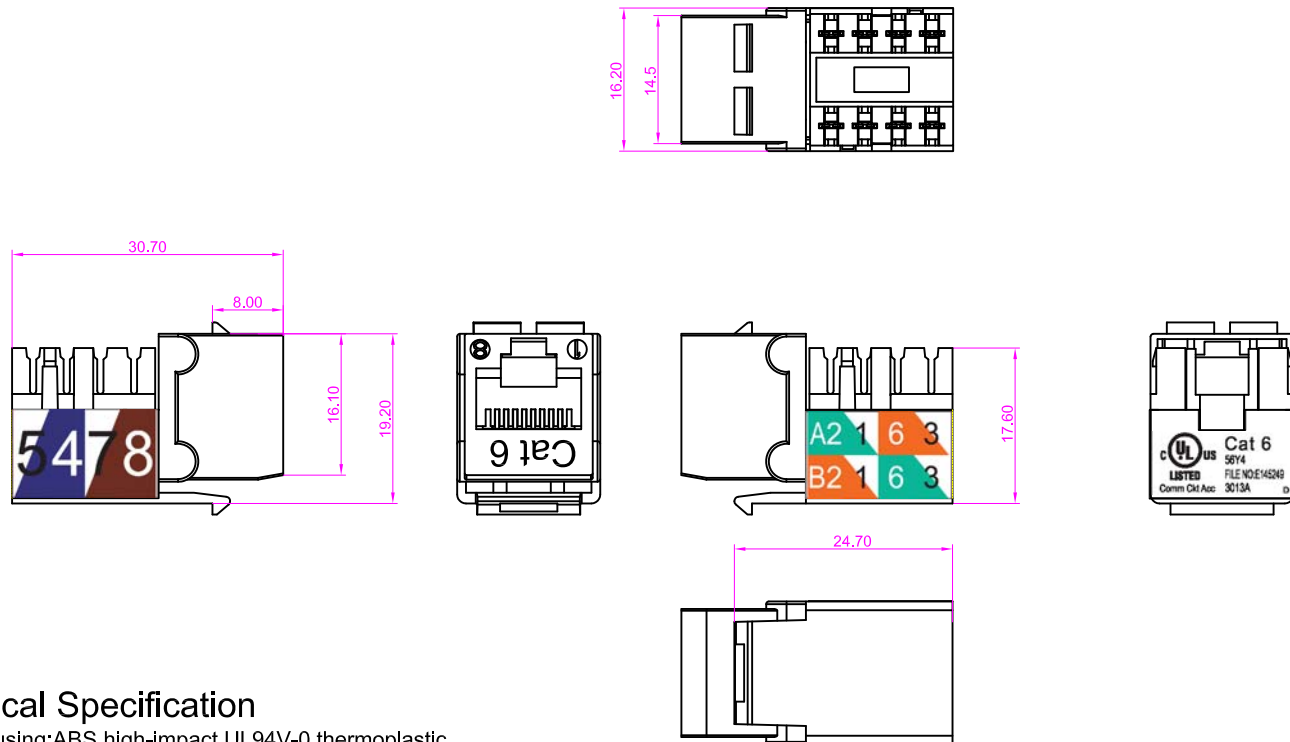


NOTE: ALL MATERIAL COMPLIANT ROHS STANDARD

REVISION INFORMATION			
Rev.	Rev. Date	Modified By	Brief Description



IDC Cap

Part Number	COLOUR	QTY	G. W (LBS)	G. W (KGS)
1	101702BL PANTONE 3015C	1000	24.3	11
2	101702GN PANTONE 7726C	1000	24.3	11
3	101702GY PANTONE C001Gray4c	1000	24.3	11
4	101702IV PANTONE 7501C	1000	24.3	11
5	101702OR PANTONE 2023C	1000	24.3	11
6	101702RD PANTONE 1925C	1000	24.3	11
7	101702WT RAL 9016	1000	24.3	11
8	101702BK PANTONE 433C	1000	24.3	11
9	101702YW PANTONE 1225C	1000	24.3	11

Physical Specification

Jack housing:ABS high-impact UL94V-0 thermoplastic
 Spring wire:Phosphor Bronze C5210R-H,t=0.3mm Plating 120u" MatteTin over 60u" Nickel undercoat, besides Plating 50u" Gold over the plated surface on contact area.
 IDC housing:Polycarbonate resin high-impact UL94V-0 thermoplastic
 IDC contact:Phosphor Bronze C5191R-H, t=0.4mm,200u" Tin over 100u"Nickel undercoat
 Insertion Life:750 mating cycles with FCC compliant RJ-45 plug
 Contact force:100 grams with FCC compliant RJ-45 plug
 Plug retention force:11 lbf min
 Durability:200 termination cycles
 Contact compatibility:Accommodates 22 to 26 AWG solid/24 AWG stranded
 Operating Temperature Range:-10°C to 60°C
 Storage Temperature Range:-40°C to 68°C
 Humidity:10%~90%RH

Electrical

Insulation resistance:500 M Ω
 Dielectric withstanding voltage:1000 V
 DC current rating:1.5 Amps
 DC resistance:0.1 Ω
 Contact resistance:20m Ω

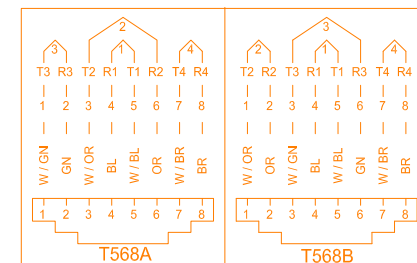
ACCORDING TO ANSI/TIA-568-C.2 REQUIREMENTS C6 CHANNEL COMPLIANT

Cat 6

56Y4 E145249



COMMUNICATION CIRCUIT ACCESSORIES

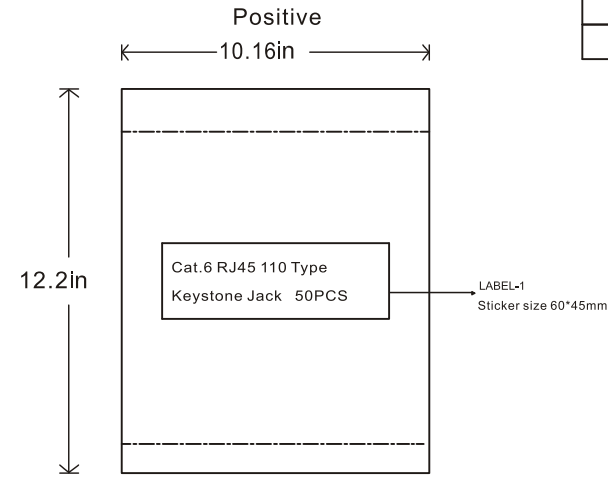
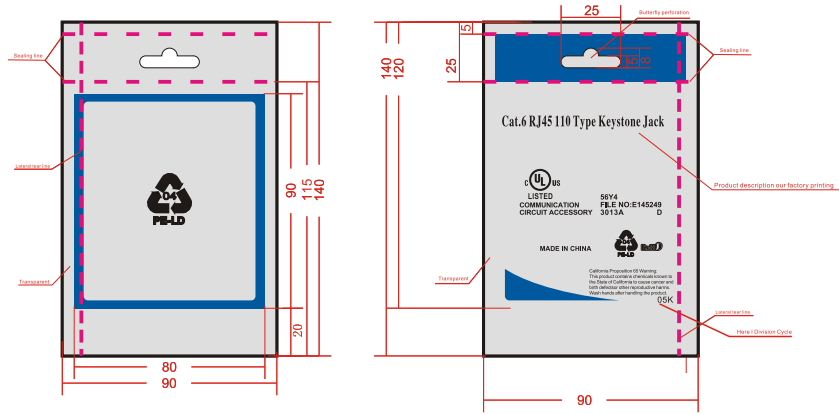


NO.	PART NAME	SPECIFICATION DESCRIPTION	QTY	UNIT
③				
②				
①				

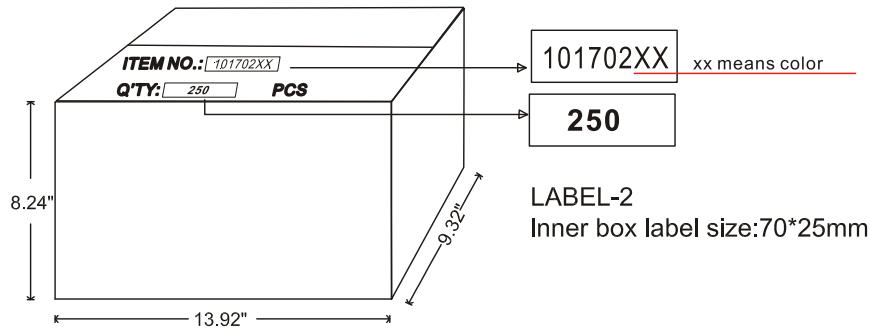
DRAWN BY	WLL	DATE:	2017/08/11	DESCRIPTION:	Cat.6 RJ45 110 Type Keystone Jack
CHECKED BY		SHEET	1 of 1	ITEM NO.	101702XX
APPROVED BY		SCALE	1:2	REV.	01
				UNIT:	mm

NOTE: CARTON MATERIAL MUST BE A=A

REVISION INFORMATION			
Rev.	Rev. Date	Modified By	Brief Description

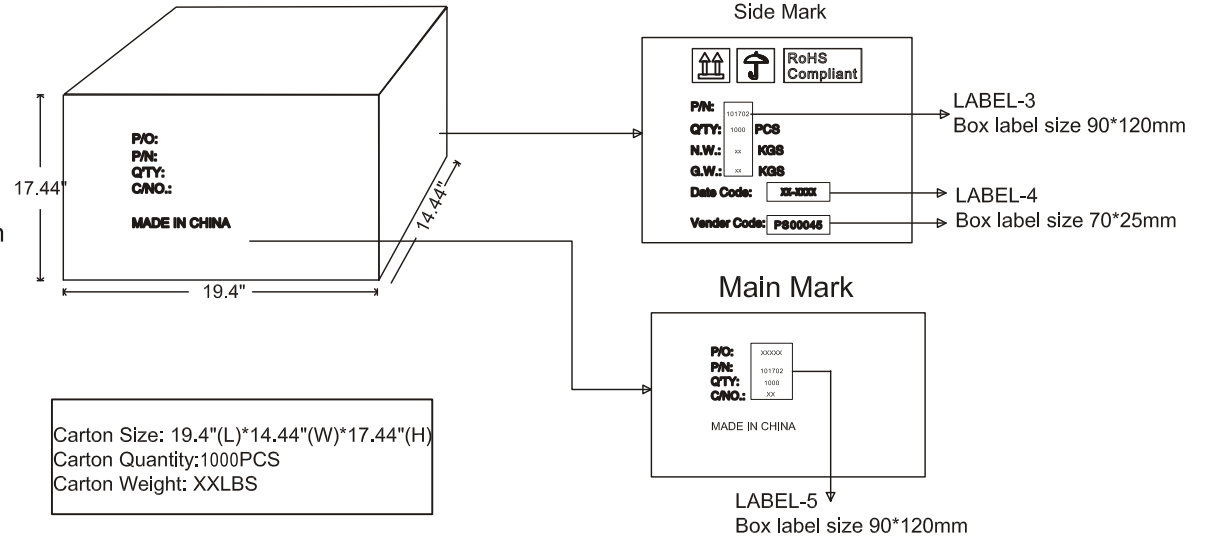


Inside the box



Unit package
Size: 13.92"(L)*9.32"(W)*8.24"(H)
Weight: XXLBS

Outside the box



Carton Size: 19.4"(L)*14.44"(W)*17.44"(H)
Carton Quantity: 1000PCS
Carton Weight: XXLBS



NO.	PART NAME	SPECIFICATION DESCRIPTION	QTY	UNIT
③				
②				
①				

Unless specified on the drawing, tolerances are per the follows:
 .x +1
 .xx +0.2
 .xxx +0.05

DRAWN BY	DATE: 2017-08-04	DESCRIPTION: Cat.6 RJ45 110 Type Keystone Jack
CHECKED BY	SHEET 1of2	ITEM NO. 101702XX <u>xx means color</u>
APPROVED BY	SCALE 1:1	REV. 00 UNIT: mm