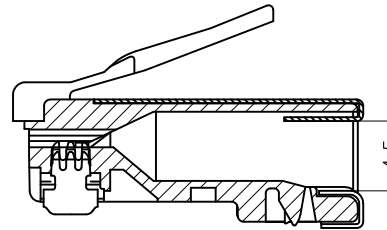
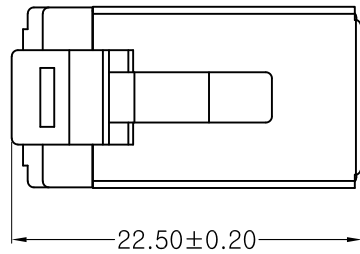


NOTE:ALL MATERIAL COMPLIANT ROHS STANDARD

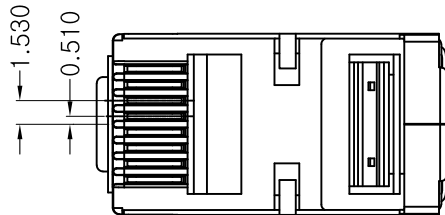
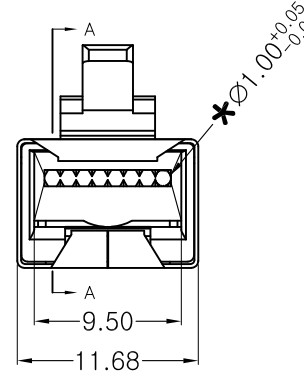
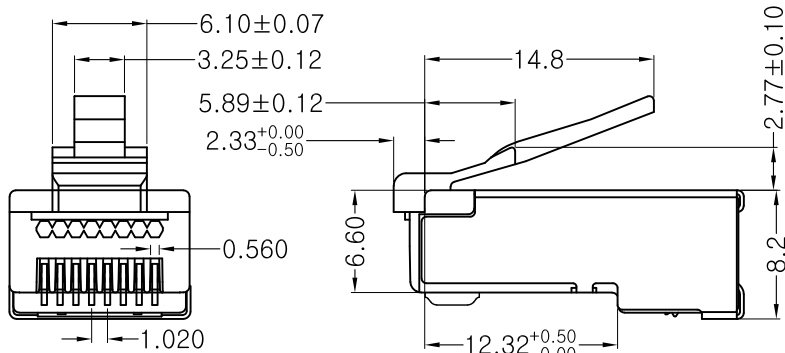
11\*1751\*\*\*\*

REVISION INFORMATION

| Rev. | Rev. Date  | Modified By | Brief Description |
|------|------------|-------------|-------------------|
| 01   | 2021.06.22 | JING_LI     | Change SPEC.      |



SECTION A-A



NOTES:

- 1.Operation Temperature:-40℃~+85℃.
- 2.Electrial Characteristics:
  - 2.1>Rated Current:125V AC,1.5A@25℃.
  - 2.2>Contact Resistance:20mΩ Max.
  - 2.3>Insulation Resistance:500MΩ Min,100V DC/min.
  - 2.4>Voltage Proof: 1000V AC/1 minute no breakdown.
- 3.Mechanical Characteristics:
  - 3.1>Insertion Force & Withdrawal Force:30N Max.
  - 3.2>Durability:750 cycles Min.
- 4.Environmental compliance:
  - 4.1>the products are compliant with the RoHS, and REACH etc.
- 5.CONDUCTOR:STRANDED&SOLID WIRE,26AWG.  
(It can be used for the wire OD fromØ0.96~Ø1.02mm.)

| NO | NAME         | QTY  | PART NO.  | DESCRIPTION  | MATERIAL  |
|----|--------------|------|-----------|--|---|
| 1  | Modular Plug | 1PCS | 43*20**09 | Square hole<br>Au: G/F" <input type="checkbox"/> 1u" <input type="checkbox"/> 3u" <input type="checkbox"/> Ni:80u" <input checked="" type="checkbox"/> | Brass <input checked="" type="checkbox"/> Spcc <input type="checkbox"/>               |
|    |              | 8PCS | /         | 2Prongs <input type="checkbox"/><br>3Prongs <input checked="" type="checkbox"/>  | Brass <input checked="" type="checkbox"/><br>Phosphor copper <input type="checkbox"/> |
|    |              | 1PCS | 21*1751** | Cat.6/FTP HOUSING/LONG BODY/SINGLE ROW   | 94V-2 <input checked="" type="checkbox"/> 94V-0 <input type="checkbox"/>              |
|    |              |      |           |  | ANGLE ±2°   |

|             |                    |   |
|-------------|--------------------|---|
| DRAWN BY    | DATE<br>2020.06.12 | DESCRIPTION:<br>Easy-Connect CAT.6 shielded Modular Plug, 3Prong,<br>For 26AWG stranded copper, Nickle plated shell |
| CHECKED BY  | SHEET 1 of 3       | ITEM NO:101411  |
| APPROVED BY | SCALE 1:1          | REV:01  |
|             |                    | UNIT:mm   |