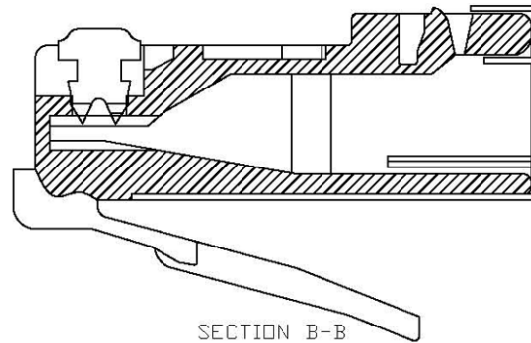
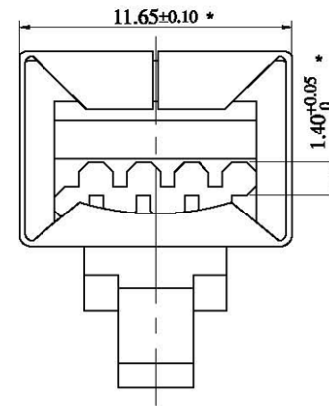
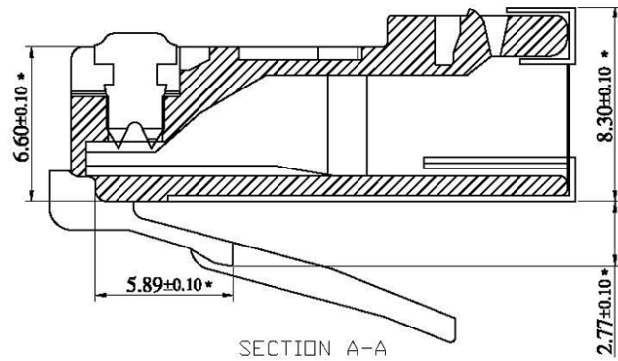
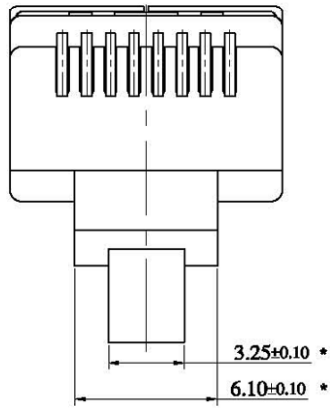
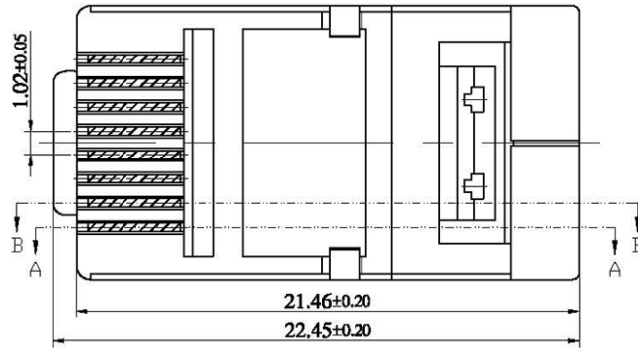


101404



		TITLE	8P8C-F-S(4U4D)-ø1.4		
(A4)	INTENTION	DWG.NO.			
APP.			TOLERANCE UNLESS OTHERWISE SPECIFIED		
CHK.			LINEAR	0.00±0.05	
DR.		UNIT: MM	ANGLES	0.0±0.1	
DWG.C.R.T		REV: A	SCALE	1 : 1	SHEET 1 OF 1