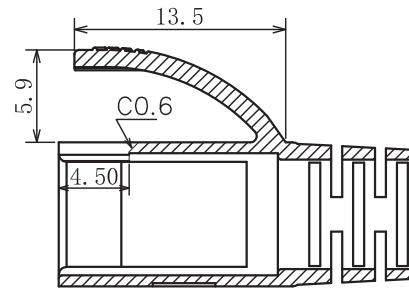
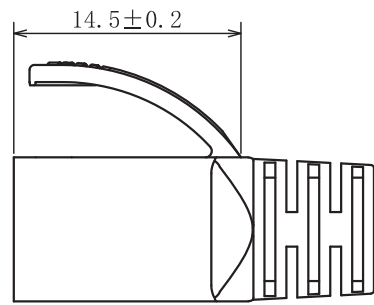
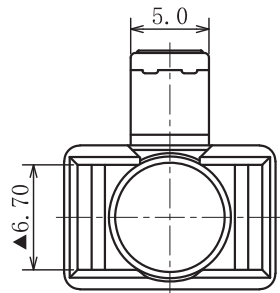
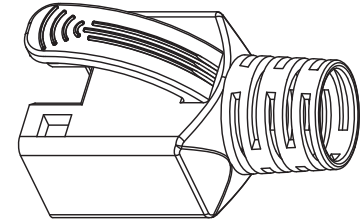
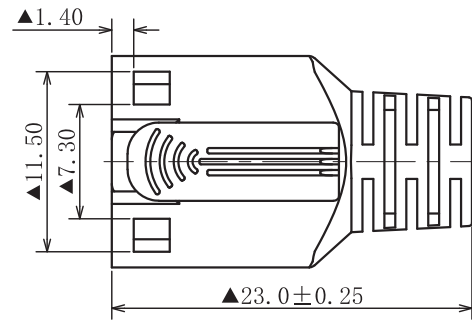
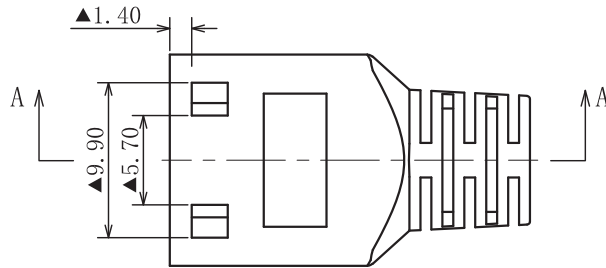
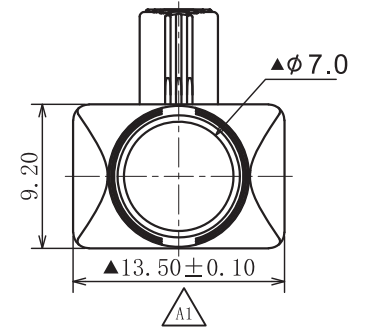


VERSION INFORMATION			
Rev.	Rev. Date	Modified By	Brief Description



SECTION A-A





DRAWN BY FW	DATE: 2026/02/09	DESCRIPTION: RJ45 Boot for CAT6A 28AWG Armored Cable 50pack Jar
CHECKED BY ACE	SHEET 1 of 2	ITEM NO. 101306
APPROVED BY	SCALE 1:1	REC. 00 UNIT: mm 