

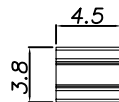
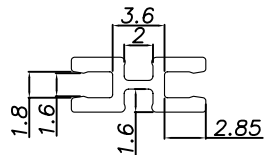
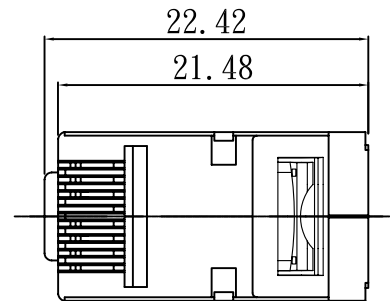
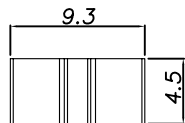
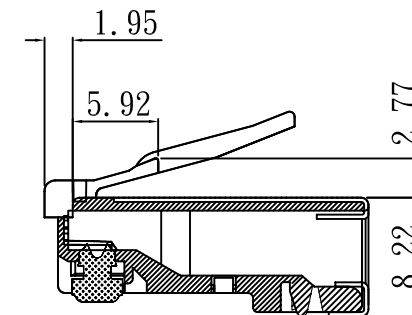
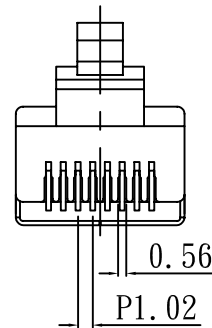
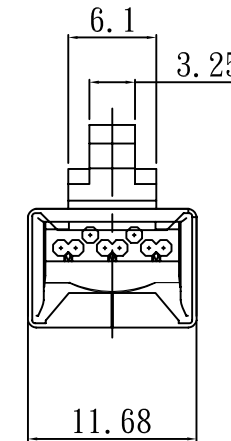
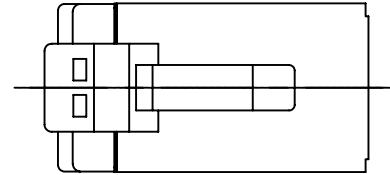
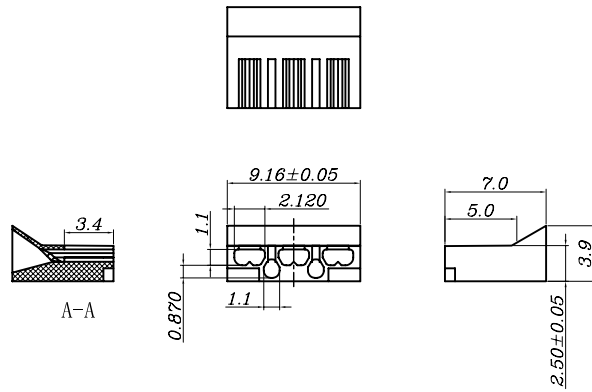
NOTE: ALL MATERIAL COMPLIANT ROHS STANDARD

REVISION INFORMATION			
Rev.	Rev. Date	Modified By	Brief Description

### SPECIFICATION

#### MECHANICAL:

- Housing Material: Polycarbonate,  UL 94V-2. NO Poison  
 UL 94V-0. NO Poison
- Material Contact: Brass / Phosphor Bronze.
- Gold Plating:  FU"  2-3U"  3U"  6U"  15U"  30U"  
 50U"
- Housing Color: Transparence.
- Material Shell : Brass.
- Operation Temperature: -40°c to 80°c.
- P8-064/2-001-E/2-009-E



NOTE TOL: ±0.1



NO.	PART NAME	SPECIFICATION DESCRIPTION	QTY	UNIT
③				
②				
①				

DRAWN BY	DATE:	DESCRIPTION: Cat.6A STP Solid 50M		
CHECKED BY	SHEET 1 of 1	ITEM NO. 101234		
APPROVED BY	SCALE 1:1	REV. 00	UNIT: mm	