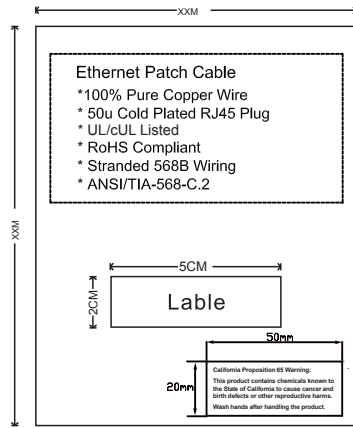


NOTE: CARTON MATERIAL MUST BE A=A

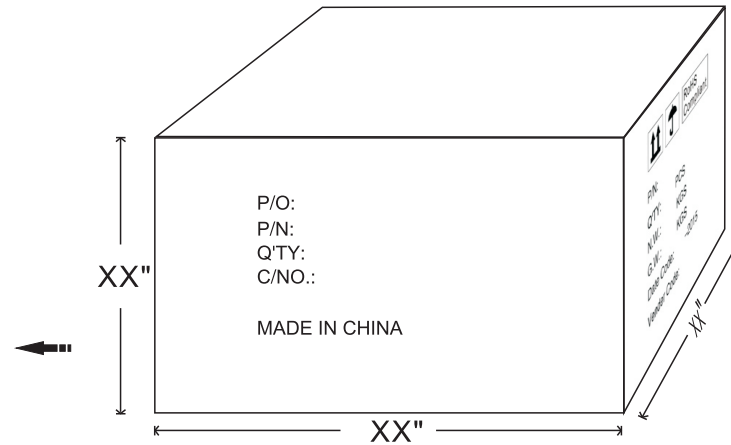
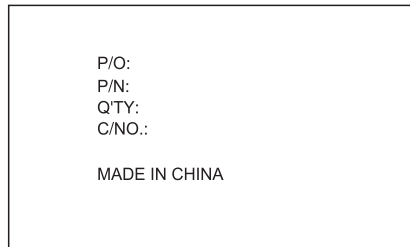
REVISION INFORMATION

Rev.	Rev. Date	Modified By	Brief Description

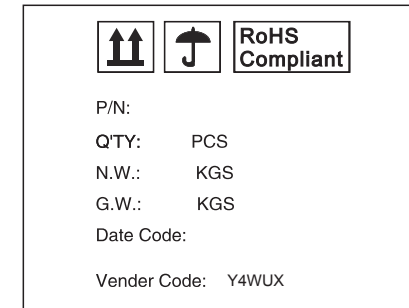


PE BAG SIZE(INCH)	PART NO.	length/FT	CARION SIZE(INCH)	Q'TY	G.W(LBS)
6.89x7.48	100751	1	15.75x15.75x9.06	300	25.65
6.89x7.48	100752	2	15.75x15.75x9.06	300	23.11
6.89x9.06	100753	3	15.75x15.75x7.87	120	18.48
6.89x9.06	100754	4	15.75x15.75x9.06	120	22.66
6.89x9.06	100755	5	15.75x15.75x7.87	100	22.44
7.87x9.45	100756	6	15.75x15.75x6.69	80	21.12
7.87x9.45	100757	7	15.75x15.75x7.87	80	23.98
7.87x9.45	100758	10	15.75x15.75x9.06	80	32.56
9.25x10.63	100759	15	15.75x15.75x7.87	40	24.22
9.25x10.63	100760	20	15.75x15.75x7.87	30	23.76
9.25x10.63	100761	25	15.75x15.75x9.06	25	28.86
9.25x10.63	100762	35	18.11x11.81x10.63	30	38.94
9.25x10.63	100762	35	16.54x16.54x9.84	30	38.94
9.25x11.81	100763	50	15.75x15.75x9.84	20	37.18
9.25x11.81	100764	75	18.50x17.13x9.84	20	52.36

Main Mark



Side Mark



DRAWN BY :FP	DATE: 2017.09.21	DESCRIPTION: C6A UTP 24AWG PVC Molding
CHECKED BY :ZL	SHEET 1of2	ITEM NO.
APPROVED BY	SCALE 1: 1	REV. 00
	UNIT:mm	