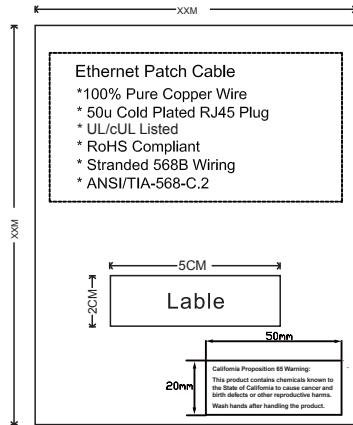


NOTE: CARTON MATERIAL MUST BE A=A

REVISION INFORMATION

Rev.	Rev. Date	Modified By	Brief Description



E BAG SIZE(INCH)	PART NO.	length/FT	CARION SIZE(INCH)	Q'TY	G.W(LBS)
6.89x7.48	100716	0.5	15.75x15.75x7.87	500	20.24
6.89x7.48	100701	1	15.75x15.75x6.69	400	20.9
6.89x7.48	100702	2	15.75x15.75x9.06	300	23.32
6.89x7.48	100717	2	15.75x15.75x9.06	300	19.8
6.89x7.48	100703	3	15.75x15.75x6.69	150	15.4
6.89x7.48	100723	3	15.75x15.75x6.69	150	15.4
6.89x7.48	100700	4	15.75x15.75x9.06	200	25.3
6.89x7.48	100704	5	15.75x15.75x7.87	120	18.48
6.89x7.48	100724	5	15.75x15.75x7.87	120	18.48
6.89x7.48	100713	6	15.75x15.75x9.06	150	26.4
6.89x7.48	100705	7	15.75x15.75x7.87	120	23.98
6.89x7.48	100725	7	15.75x15.75x7.87	120	23.98
6.89x7.48	100748	8	15.75x15.75x9.06	110	24.86
6.89x7.48	100749	9	15.75x15.75x9.06	90	22.66
6.89x7.48	100706	10	15.75x15.75x7.87	100	27.06
6.89x7.48	100747	12	15.75x15.75x7.87	80	25.74
6.89x9.06	100707	15	15.75x15.75x9.06	70	27.72
6.89x9.06	100714	20	15.75x15.75x9.06	60	30.8
6.89x9.06	100708	25	15.75x15.75x9.06	50	31.68
6.89x9.06	100719	30	15.75x15.75x7.87	45	33.66
9.25x10.63	100718	35	15.75x15.75x9.06	40	35.2
9.25x10.63	100720	40	15.75x15.75x7.87	25	25.3
9.25x10.63	100709	50	15.75x15.75x9.06	25	31.24
9.25x11.81	100710	75	15.75x15.75x9.06	20	36.74
9.25x11.81	100711	100	16.54x16.54x10.24	20	48.62
11.81x14.96	100712	150	18.11x9.84x11.02	10	36.3
11.81x14.96	100715	200	18.11x9.84x11.02	8	38.28

Side Mark

RoHS Compliant

P/N:

Q'TY: PCS

N.W.: KGS

G.W.: KGS

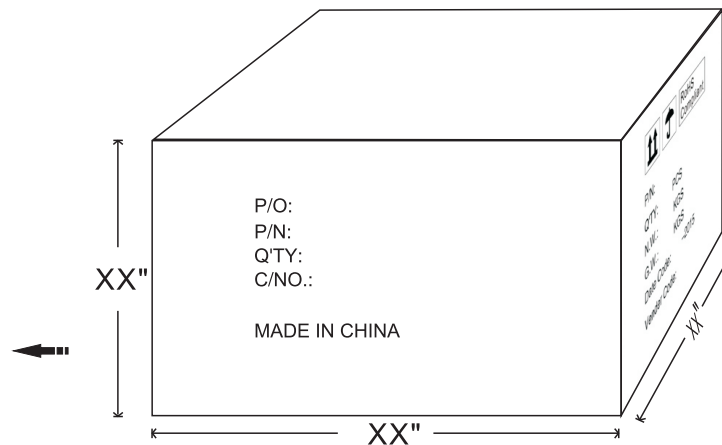
Date Code:

Vender Code: Y4WUX

Main Mark

P/O:
P/N:
Q'TY:
C/NO.:

MADE IN CHINA



DRAWN BY :FP	DATE: 2017.09.21	DESCRIPTION: C6 UTP 24AWG PVC Molding
CHECKED BY :ZL	SHEET 1 of 2	ITEM NO.
APPROVED BY	SCALE 1: 1	REV. 00

UNIT:mm