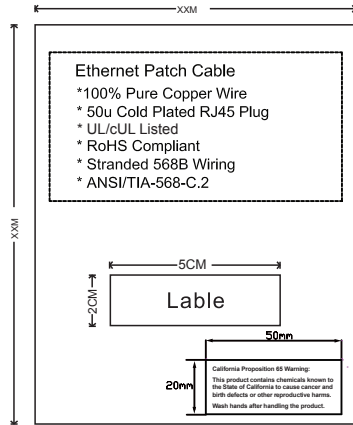


NOTE: CARTON MATERIAL MUST BE A=A

REVISION INFORMATION

Rev.	Rev. Date	Modified By	Brief Description

PE BAG SIZE(INCH)	PART NO.	length/FT	CARION SIZE(INCH)	Q'TY	G.W(LBS)
6.89x7.48	100601	1	15.75x15.75x7.87	400	23.98
6.89x7.48	100614	1	15.75x15.75x9.06	500	24.64
6.89x7.48	100602	2	15.75x15.75x9.06	300	24.42
6.89x7.48	100603	3	15.75x15.75x9.84	250	25.52
6.89x7.48	100600	4	15.75x15.75x9.06	200	24.64
6.89x7.48	100604	5	15.75x15.75x9.84	200	28.6
6.89x7.48	100615	6	15.75x15.75x9.06	150	24.86
6.89x7.48	100605	7	16.54x16.54x10.24	150	27.94
6.89x7.48	100625	7	16.54x16.54x10.24	150	27.94
6.89x7.48	100606	10	16.54x16.54x10.24	110	27.5
6.89x7.48	100626	10	16.54x16.54x10.24	110	27.5
6.89x9.06	100607	15	15.75x15.75x9.06	70	25.08
6.89x9.06	100616	20	15.75x15.75x9.06	60	27.5
6.89x9.06	100608	25	15.75x15.75x10.24	65	36.08
6.89x9.06	100618	35	15.75x15.75x9.06	40	30.58
9.25x10.63	100609	50	15.75x15.75x9.06	25	27.28
9.25x10.63	100629	50	15.75x15.75x9.06	25	27.28
9.25x11.81	100610	75	15.75x15.75x9.06	20	32.12
9.25x11.81	100611	100	15.75x15.75x10.24	20	42.24
9.25x11.81	100635	125	15.75x15.75x9.06	16	41.8
11.81x14.96	100612	150	18.11x9.84x11.02	10	31.46
11.81x14.96	100636	175	16.54x16.54x10.24	16	58.08
11.81x14.96	100613	200	18.11x9.84x10.24	8	33.22



Side Mark

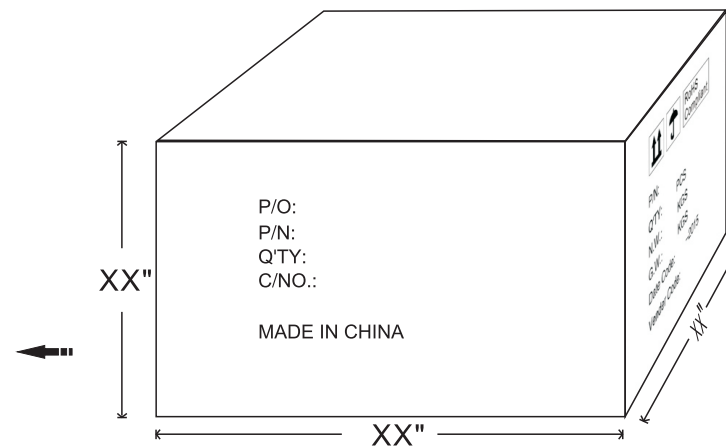
**RoHS Compliant**

P/N:  
 Q'TY: PCS  
 N.W.: KGS  
 G.W.: KGS  
 Date Code:  
 Vender Code: Y4WUX

Main Mark

P/O:  
 P/N:  
 Q'TY:  
 C/NO.:

MADE IN CHINA



DRAWN BY :OP	DATE: 2017.09.21	DESCRIPTION: C5E FTP 26AWG PVC Molding
CHECKED BY :ZL	SHEET 1 of 2	ITEM NO.
APPROVED BY	SCALE 1: 1	REV. 00

UNIT:mm