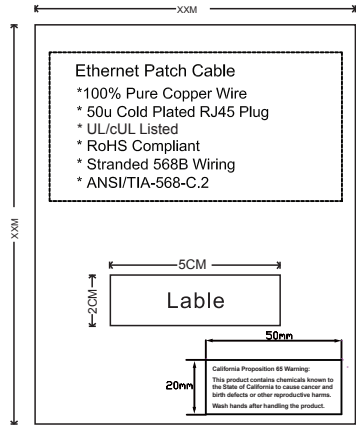


NOTE: CARTON MATERIAL MUST BE A=A

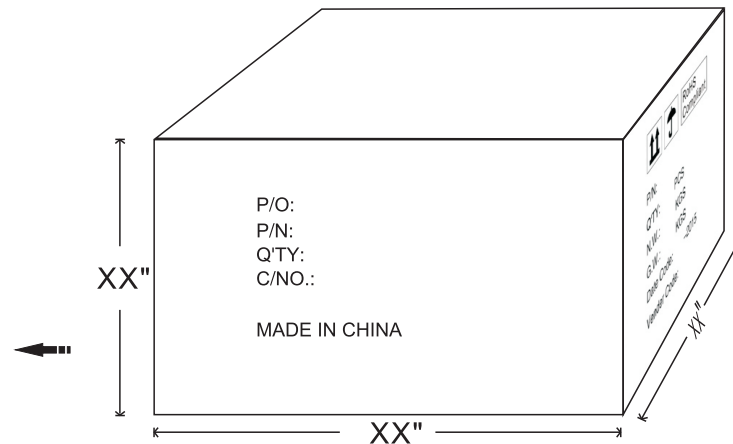
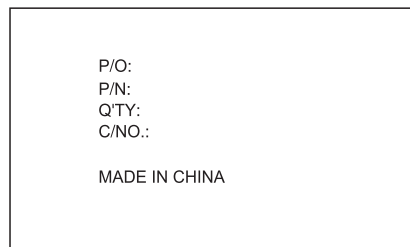
REVISION INFORMATION

Rev.	Rev. Date	Modified By	Brief Description

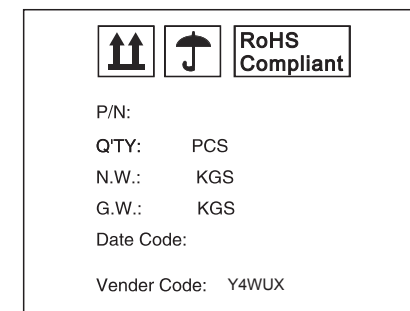


PE BAG SIZE(INCH)	PART NO.	length/FT	CARION SIZE(INCH)	Q'TY	G.W(LBS)
6.89x7.48	100570	1	15.75x15.75x6.69	350	39.01
6.89x7.48	100571	2	15.75x15.75x9.06	250	34.67
6.89x7.48	100572	3	15.75x15.75x9.06	220	36.56
6.89x7.48	100573	4	15.75x15.75x9.06	180	35.06
6.89x7.48	100574	6	15.75x15.75x9.06	120	30.38
6.89x7.48	100575	10	15.75x15.75x9.06	100	36.31
6.89x9.06	100576	15	15.75x15.75x9.06	80	40.46
6.89x9.06	100577	25	15.75x15.75x9.06	50	39.16

Main Mark



Side Mark



DRAWN BY :QXP	DATE: 2016.07.15	DESCRIPTION: C5E UTP 24AWG PVC Molding
CHECKED BY :ZL	SHEET 1 of 2	ITEM NO.
APPROVED BY	SCALE 1: 1	REV. 00 UNIT:mm