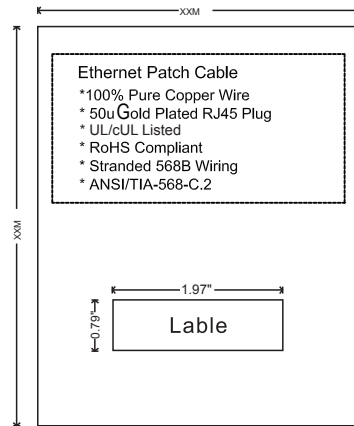


NOTE: CARTON MATERIAL MUST BE A=A

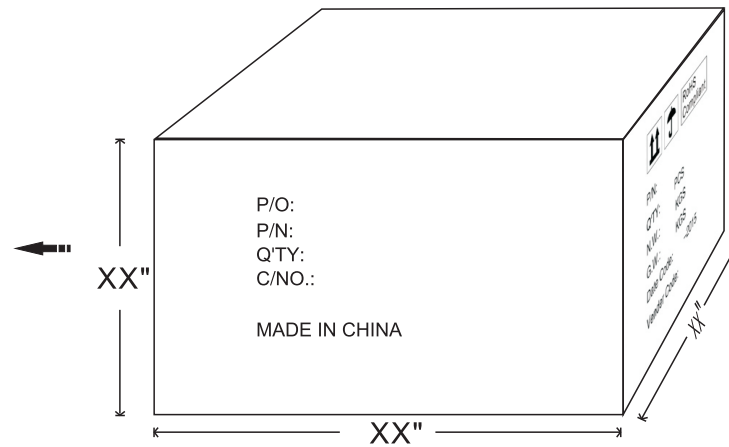
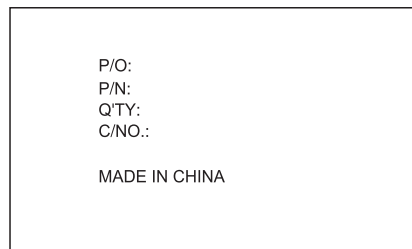
REVISION INFORMATION

Rev.	Rev. Date	Modified By	Brief Description

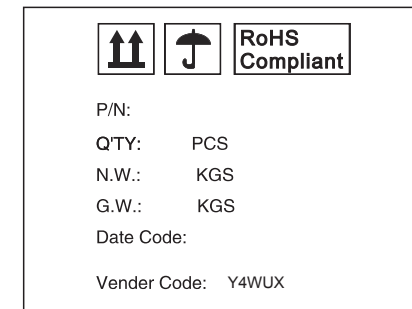


PE BAG SIZE(INCH)	PART NO.	length/FT	CARION SIZE(INCH)	Q'TY	G.W(LBS)
6.89x7.48	100100	0.5	15.75x15.75x7.87	500	17.38
6.89x7.48	100101	1	15.75x15.75x6.69	400	18.48
6.89x7.48	100117	1.5	15.75x15.75x9.06	300	18.26
6.89x7.48	100102	2	15.75x15.75x9.06	300	21.56
6.89x7.48	100103	3	15.75x15.75x6.69	150	14.52
6.89x7.48	100104	4	15.75x15.75x9.06	200	23.98
6.89x7.48	100105	5	15.75x15.75x7.87	120	17.82
6.89x7.48	100106	6	15.75x15.75x9.06	150	25.52
6.89x7.48	100107	7	15.75x15.75x7.87	120	23.32
6.89x7.48	100108	10	15.75x15.75x7.87	100	26.62
6.89x9.06	100109	15	15.75x15.75x7.87	70	27.28
6.89x7.48	100109	15	15.75x15.75x7.87	70	27.28
6.89x9.06	100110	20	15.75x15.75x9.06	60	30.36
6.89x9.06	100111	25	15.75x15.75x9.06	50	31.46
9.25x10.63	100112	50	15.75x15.75x9.06	25	31.02
9.25x11.81	100113	75	15.75x15.75x9.06	20	36.74
9.25x11.81	100113	100	15.75x15.75x10.24	20	48.4

Main Mark



Side Mark



DRAWN BY :QXP	DATE: 2015.08.27	DESCRIPTION: C6 UTP 24AWG PVC Molding
CHECKED BY :ZL	SHEET 1 of 2	ITEM NO.
APPROVED BY	SCALE 1: 1	REV. 00
	UNIT:mm	