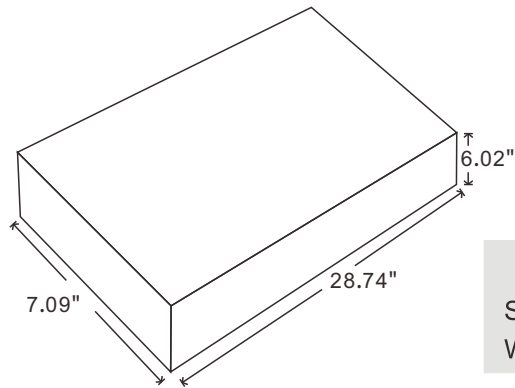


NOTE: CARTON MATERIAL MUST BE A=A

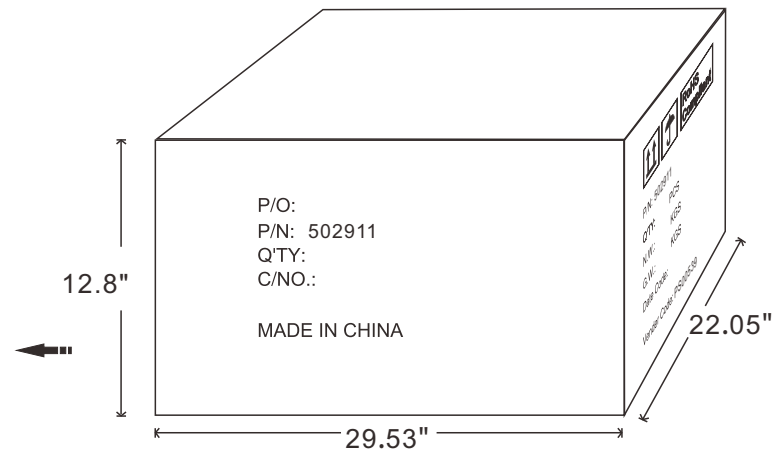
REVISION INFORMATION

Rev.	Rev. Date	Modified By	Brief Description



Unit package  
 Size: 28.74"(L)\*7.09"(W)\*6.02"(H)  
 Weight: 6.6LBS

P/O:  
 P/N: 502911  
 Q'TY:  
 C/NO.:  
  
 MADE IN CHINA



Carton Size: 29.53"(L)\*22.05"(W)\*12.8"(H)  
 Carton Quantity: 6pcs  
 Carton Weight: 42.91LBS

		<b>RoHS Compliant</b>
P/N: 502911		
Q'TY:	PCS	
N.W.:	KGS	
G.W.:	KGS	
Date Code:		
Vender Code: PS00539		

DRAWN BY	DATE: 2015/6/8	DESCRIPTION: Aluminum Short Throw Projector Wall Mount	
CHECKED BY	SHEET 1 of 2	ITEM NO. 502911	
APPROVED BY	SCALE 1: 1	REV. 00	UNIT:mm