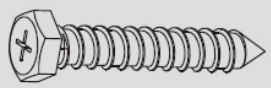
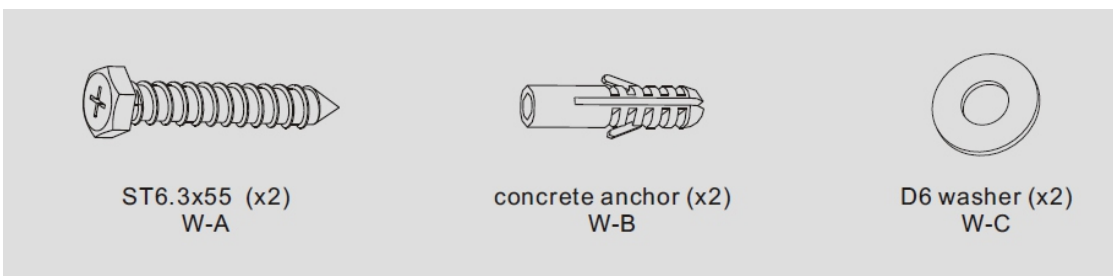
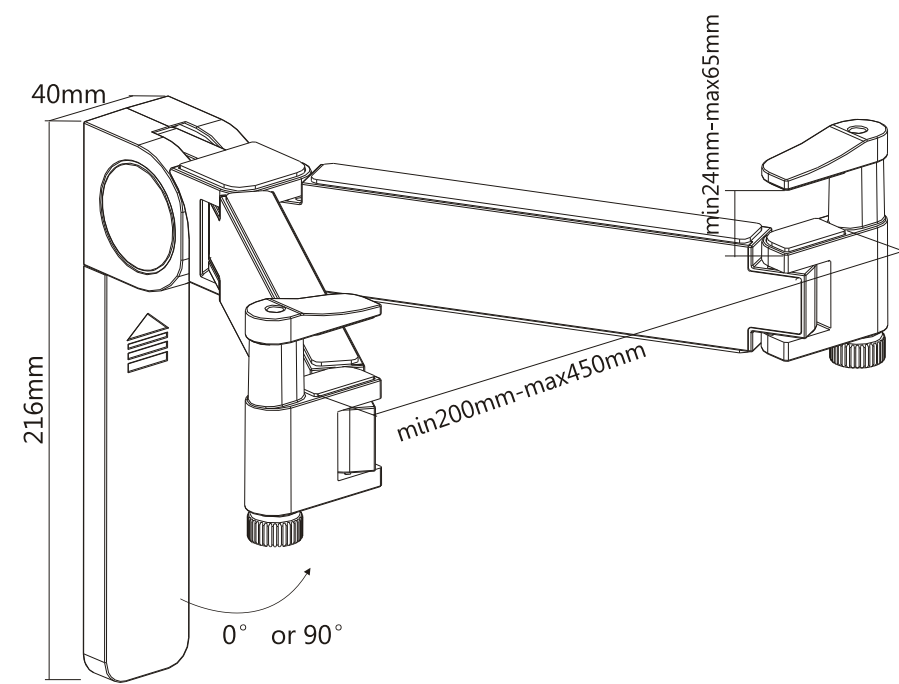
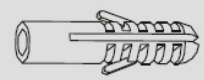


NOTE: ALL MATERIAL COMPLIANT ROHS STANDARD

REVISION INFORMATION			
Rev.	Rev. Date	Modified By	Brief Description




ST6.3x55 (x2)
W-A



concrete anchor (x2)
W-B



D6 washer (x2)
W-C


BestLinkNetware

DRAWN BY	DATE: 2015/6/4	DESCRIPTION: Universal folding DVD wall mount
CHECKED BY	SHEET 1 of 1	ITEM NO. 502905BK
APPROVED BY	SCALE 1:1	REV. 00
		UNIT: mm

NO.	PART NAME	SPECIFICATION DESCRIPTION	QTY	UNIT