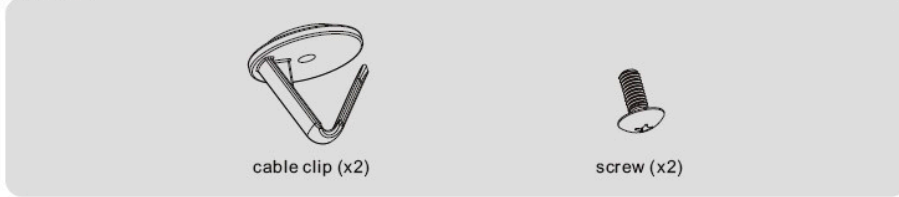


NOTE: ALL MATERIAL COMPLIANT ROHS STANDARD

REVISION INFORMATION			
Rev.	Rev. Date	Modified By	Brief Description

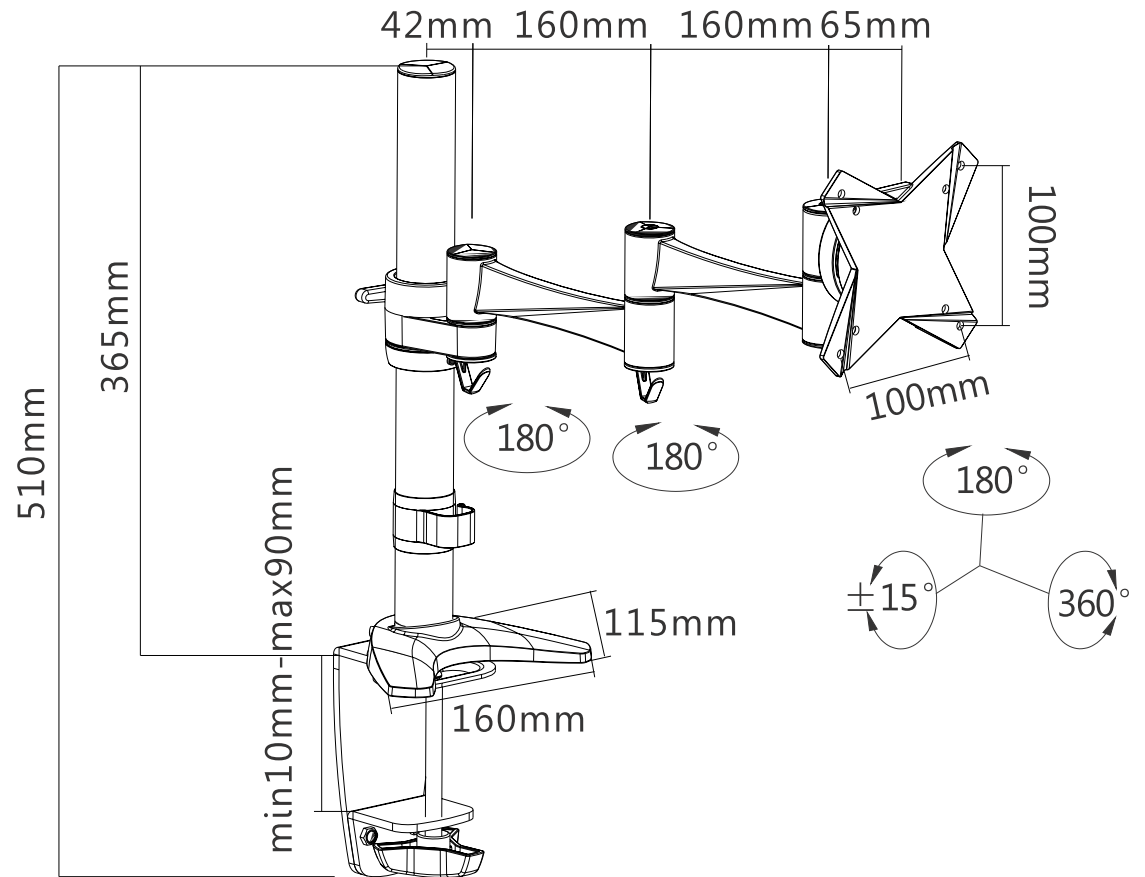
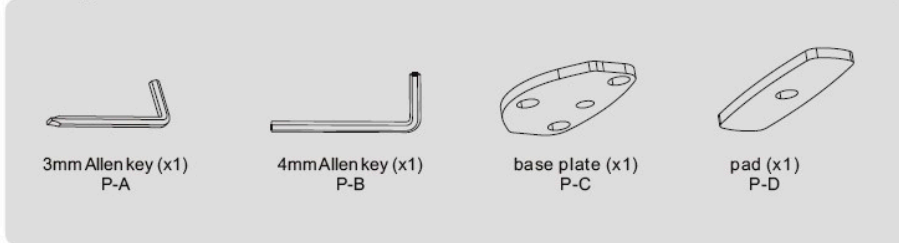
Package



Package M



Package P



DRAWN BY	DATE: 2015/6/4	DESCRIPTION: Single Monitor Deskmount 13"~23", Counterbalance LDT02-C012	
CHECKED BY	SHEET 1 of 1	ITEM NO. 502869	
APPROVED BY	SCALE 1:1	REV. 00	UNIT: mm

NO.	PART NAME	SPECIFICATION DESCRIPTION	QTY	UNIT
③				
②				
①				