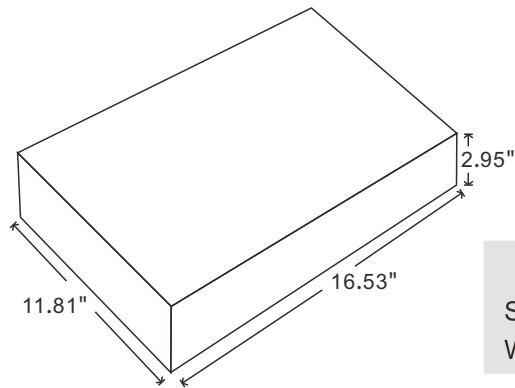


NOTE: CARTON MATERIAL MUST BE A=A

REVISION INFORMATION

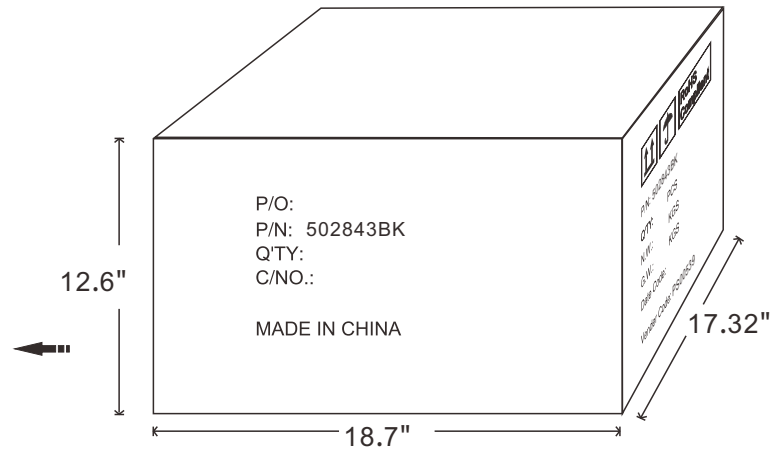
Rev.	Rev. Date	Modified By	Brief Description



Unit package
 Size: 16.53"(L)* 11.81"(W)* 2.95"(H)
 Weight: 8.62LBS

P/O:
 P/N: 502843BK
 Q'TY:
 C/NO.:

 MADE IN CHINA



Carton Size: 18.7"(L) * 17.32"(W) * 12.6"(H)
 Carton Quantity: 6pcs
 Carton Weight: 53.9LBS

		RoHS Compliant
P/N: 502843BK		
Q'TY: PCS		
N.W.: KGS		
G.W.: KGS		
Date Code:		
Vender Code: PS00539		

DRAWN BY	DATE: 2015/6/4	DESCRIPTION: Aluminum/Tempered Glass DVD Mount Double Deck Black DVD212	
CHECKED BY	SHEET 1of2	ITEM NO. 502843BK	
APPROVED BY	SCALE 1: 1	REV. 00	UNIT:mm