

BWLF102XL

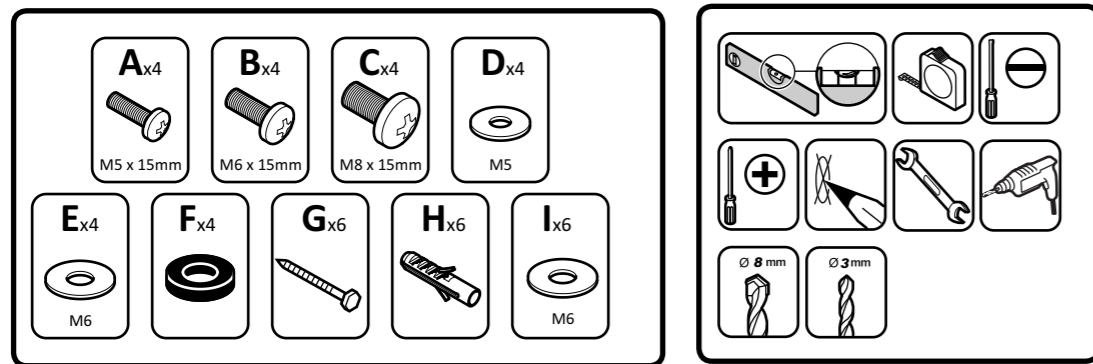
ASSEMBLY INSTRUCTIONS FOR ADJUSTABLE FLAT PANEL WALL MOUNT

Safety Warning: Be careful to make sure there are no missing or defective parts. Never use defective parts.

Improper installation may cause damage or serious injury.

Note: The included hardware is for mounting on walls. If you are uncertain about the nature of your wall, consult an expert. Please consult your hardware or installation professional for proper mounting to other types or walls. The supplied hardware is not for steel.

Forbidden Instruction: Do not mount onto plasterboard or paneled walls.



1 FIX TO WALL

Concrete/Brick Installation

NOTE: The concrete anchors must be used for concrete installation.

- 1 Begin by placing the wall plate into position against the wall, using the bubble level to keep it level.
- 2 Mark off 6 holes to be used for securing the mount and place the wall plate aside
- 3 Next, drill holes four 8mm holes 40mm deep.
- 4 Insert a concrete anchor(H) into to reach hole.
- 5 If necessary, a hammer can be used to lightly tap each anchor into place so that they are flush with the wall.
- 6 Once all of the anchors are in place, move the wall plate back into position.
- 7 Attach the bolt(G) and washer(I) into the anchor(H) that is placed in the wall.
- 8 Do not tighten until all screws are in place.

Wood Stud Installation

NOTE: For secure wood stud mounting, the wall plate must be mounted to two studs at least 16" apart.

- 1 Use a high-quality electronic stud finder (commercially available) to locate two adjacent studs and mark their locations with a pencil.
- 2 With the help of an assistant, and using the bubble level to ensure the wall plate is level, position the wall plate against the wall in the desired mounting location.
- 3 Mark the right, upper and lower and the left (upper and lower) positions of the small horizontal slots that are in alignment with the studs.
- 4 You should mark the positions as the picture showed.
- 5 Next, Pre-drill four 3mm holes 40mm deep for M6 bolt(G) as showed following. in the wall stud at each marked location.
- 6 please position the wall plate against the wall and line up the mounting slots with drilled holes
- 7 For each location, insert a lag bolt (G) and washer(I) into the wall.
- 8 Tighten bolt with an open ended socket wrench by turning clockwise until tight.

Diagram 1-A

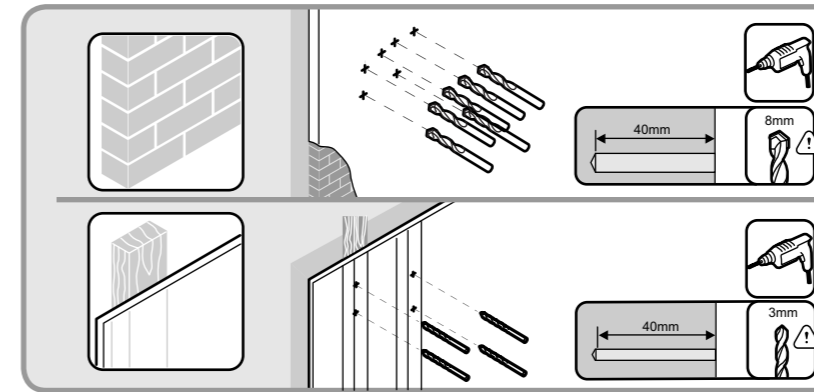
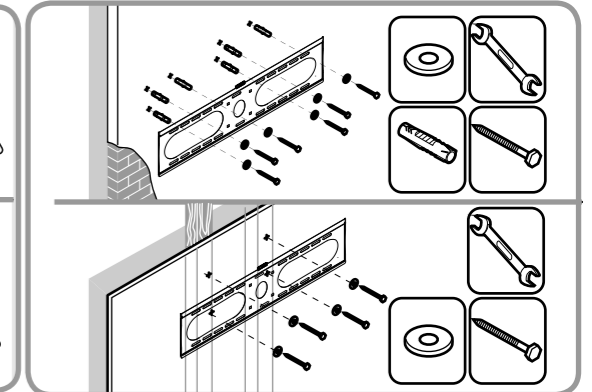


Diagram 1-B

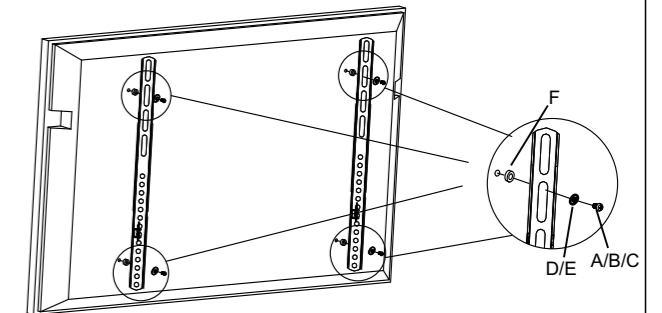


2 FIT SCREEN

- 1 To ensure optimal installation, this kit includes various screws of different diameters and lengths.
- 2 Place your TV screen down on a soft, flat surface, and locate the threaded mounting points that are located on the back of the display.
- 3 Determine which screw (A/B/C) is of the correct length by carefully inserting a straw, or toothpick, and mark how deep the mounting point is.
- 4 If your display has a curved back or a recessed thread mounting point, a spacer (F) must be used.
- 5 Place the spacer (F) between the mounting bracket and display.
- 6 According to the size of display's hole, choose the corresponding screw and hole on the rectangle washer, then thread them in line.

Notice:

First, if the TV back is arcuate, you need to use (F), if it's flat, that is unnecessary.
Second, the choice of screw (A/B/C) should be according to the size and depth of the install aperture in the back of TV.



3 ADJUST

1. Fasten the finish installed TV brackets on the wall panels.

2. adjust the proper angle, tighten the security screws

