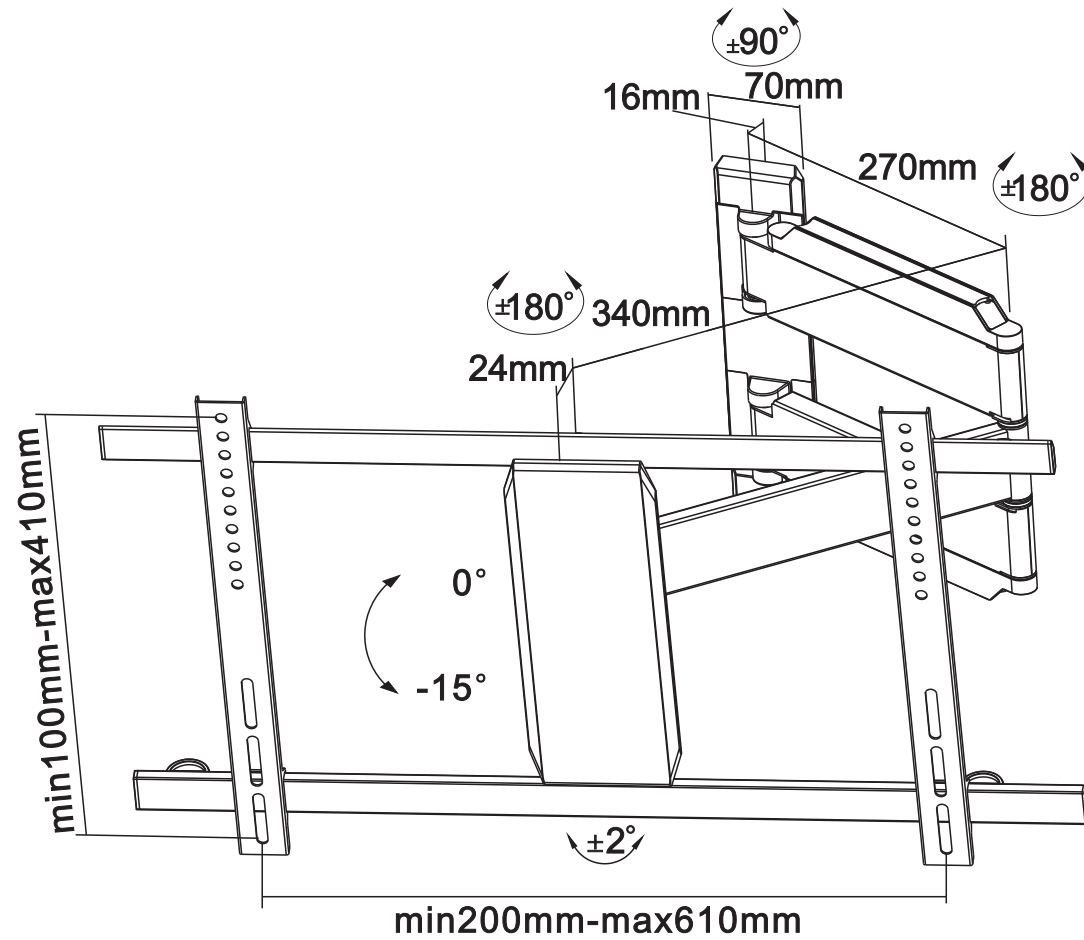


NOTE: ALL MATERIAL COMPLIANT ROHS STANDARD

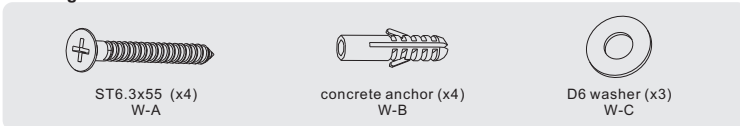
REVISION INFORMATION			
Rev.	Rev. Date	Modified By	Brief Description




Package M



Package W



NO.	PART NAME	SPECIFICATION DESCRIPTION	QTY	UNIT
③				
②				
①				



DRAWN BY	DATE: 2011/12/31	DESCRIPTION: Ultra Slim Full Motion Bracket (LPA20-463)
CHECKED BY	SHEET 1 of 1	ITEM NO. 502837
APPROVED BY	SCALE 1:1	REV. 00

UNIT: mm 