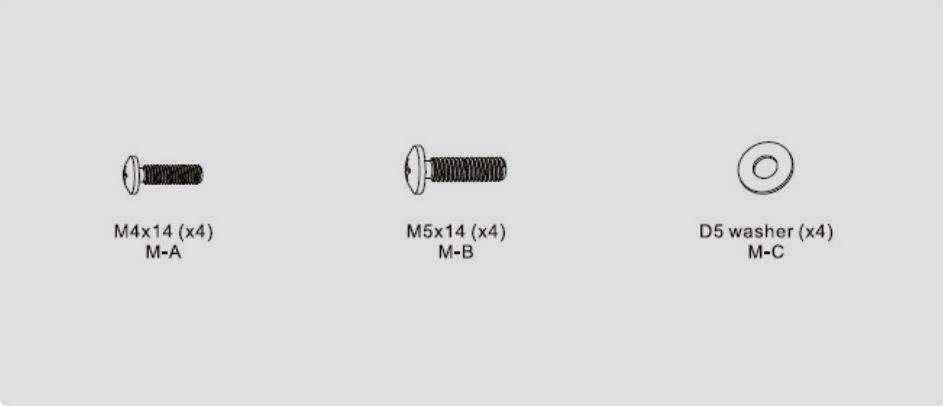


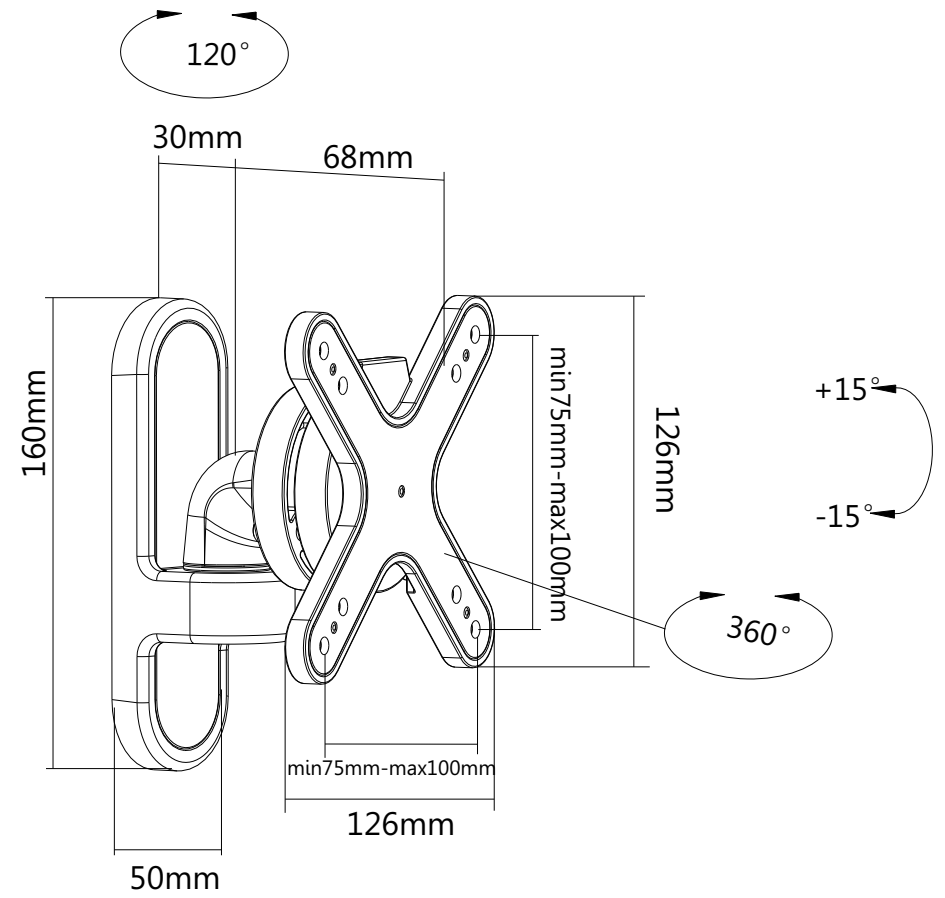
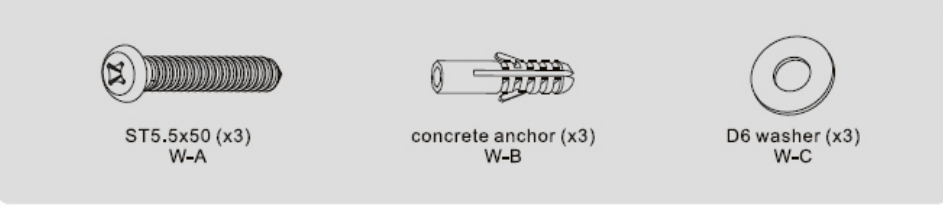
NOTE: ALL MATERIAL COMPLIANT ROHS STANDARD


REVISION INFORMATION			
Rev.	Rev. Date	Modified By	Brief Description

Package M



Package W




BestLinkNetware

DRAWN BY	DATE: 2015/6/4	DESCRIPTION: Flat TV Mount 13~23" Tilt/Swivel VESA 100mm UL EAT2-110
CHECKED BY	SHEET 1 of 1	ITEM NO. 502822
APPROVED BY	SCALE 1:1	REV. 00 UNIT: mm

NO.	PART NAME	SPECIFICATION DESCRIPTION	QTY	UNIT