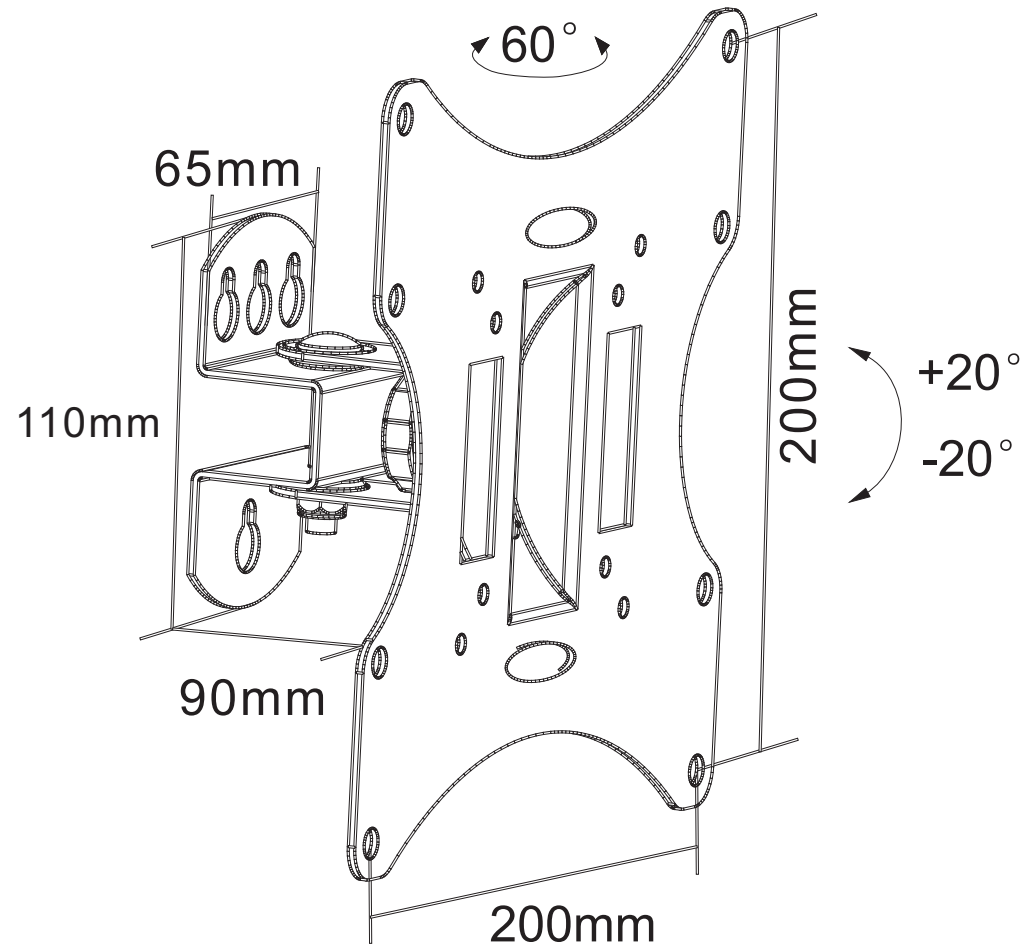
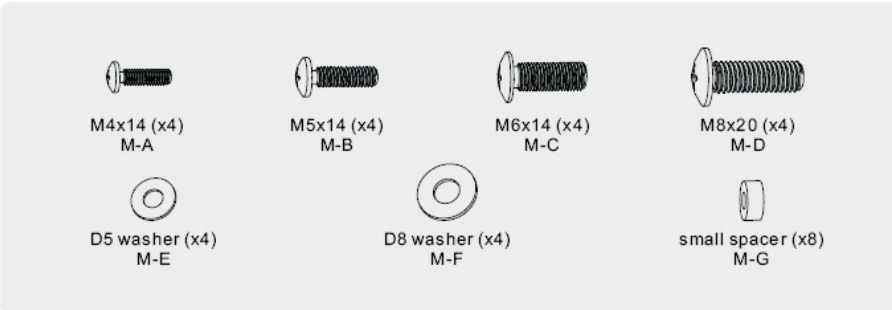


NOTE: ALL MATERIAL COMPLIANT ROHS STANDARD

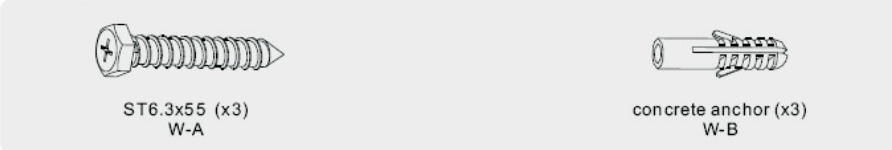
| REVISION INFORMATION |           |             |                   |
|----------------------|-----------|-------------|-------------------|
| Rev.                 | Rev. Date | Modified By | Brief Description |
|                      |           |             |                   |



**Package M**



**Package W**



|             |                     |   |          |
|-------------|---------------------|---|----------|
| DRAWN BY    | DATE:<br>2011/12/31 | DESCRIPTION:<br>Flat TV Mount 17~37" Tilt/Swivel,<br>LCD-501A Black |          |
| CHECKED BY  | SHEET 1 of 1        | ITEM NO. 502721BK   |          |
| APPROVED BY | SCALE 1:1           | REV. 00   | UNIT: mm |

| NO. | PART NAME | SPECIFICATION DESCRIPTION | QTY | UNIT |
|-----|-----------|---------------------------|-----|------|
| ③   |           |                           |     |      |
| ②   |           |                           |     |      |
| ①   |           |                           |     |      |