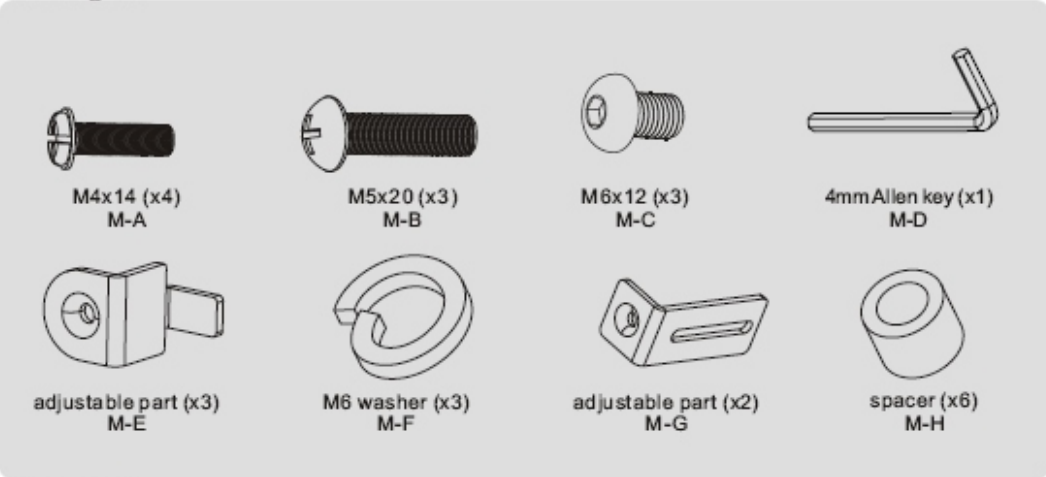


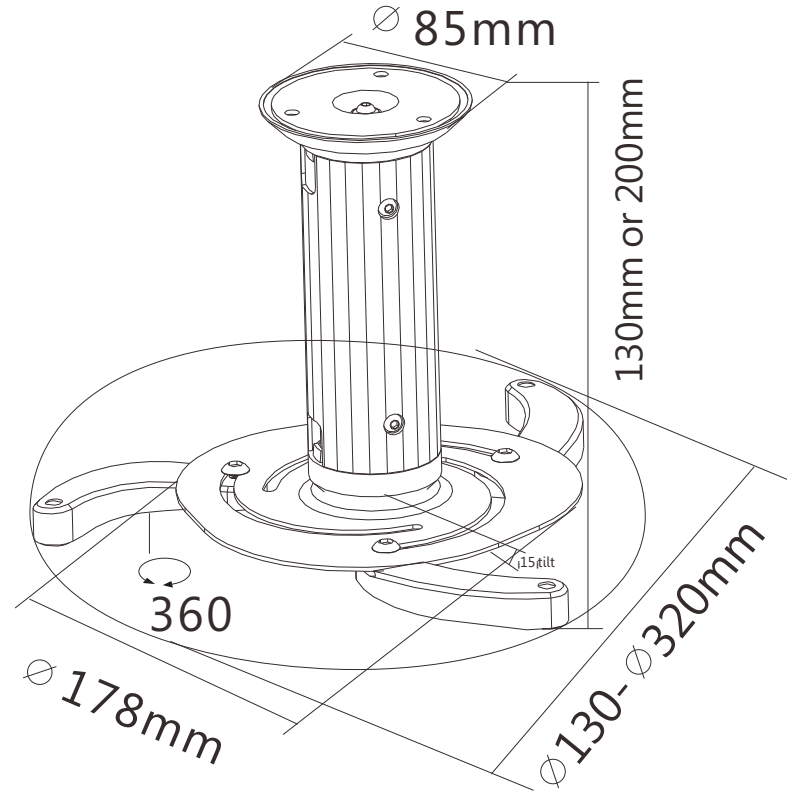
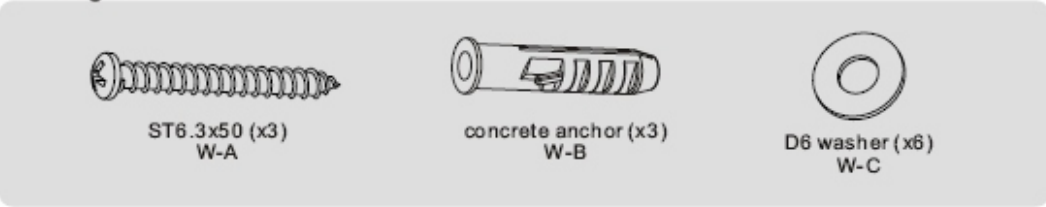
NOTE: ALL MATERIAL COMPLIANT ROHS STANDARD

REVISION INFORMATION			
Rev.	Rev. Date	Modified By	Brief Description

Package M



Package W



DRAWN BY		DATE: 2015/6/4	DESCRIPTION: Projector Ceiling Mount PRB-1 Silver	
CHECKED BY		SHEET 1 of 1	ITEM NO. 502700SV	
APPROVED BY		SCALE 1:1	REV. 00	UNIT: mm

NO.	PART NAME	SPECIFICATION DESCRIPTION	QTY	UNIT
③				
②				
①				