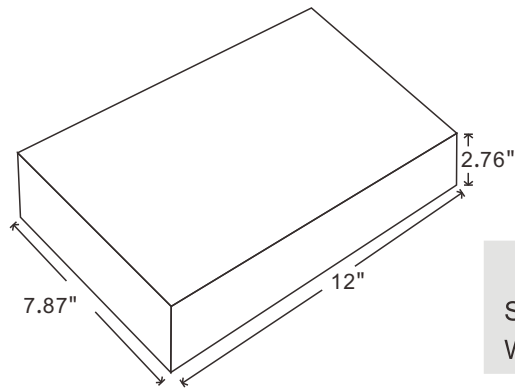


NOTE: CARTON MATERIAL MUST BE A=A

REVISION INFORMATION

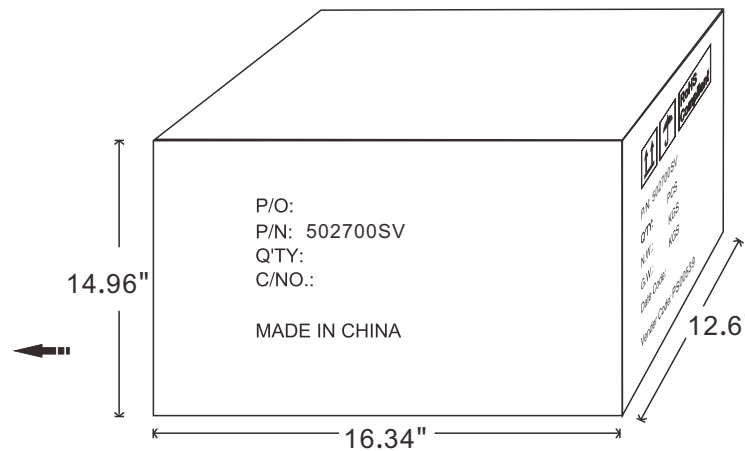
Rev.	Rev. Date	Modified By	Brief Description



Unit package
 Size: 12"(L)*7.87"(W)*2.76"(H)
 Weight: 2.95LBS

P/O:
 P/N: 502700SV
 Q'TY:
 C/NO.:

 MADE IN CHINA



Carton Size: 16.34"(L)*12.6"(W)*14.96"(H)
 Carton Quantity: 10pcs
 Carton Weight: 30.8LBS

		RoHS Compliant
P/N: 502700SV		
Q'TY: PCS		
N.W.: KGS		
G.W.: KGS		
Date Code:		
Vender Code: PS00539		

DRAWN BY	DATE: 2015/6/4	DESCRIPTION: Projector Ceiling Mount PRB-1 Silver	
CHECKED BY	SHEET 1of2	ITEM NO. 502700SV	
APPROVED BY	SCALE 1: 1	REV. 00	UNIT:mm