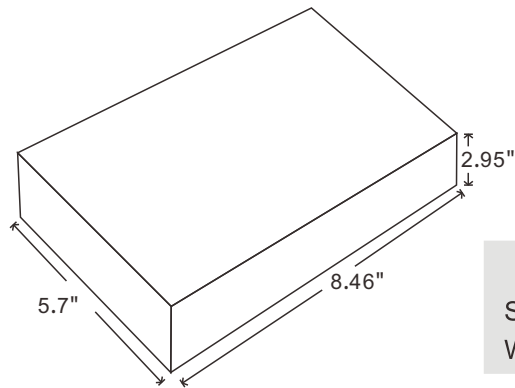


NOTE: CARTON MATERIAL MUST BE A=A

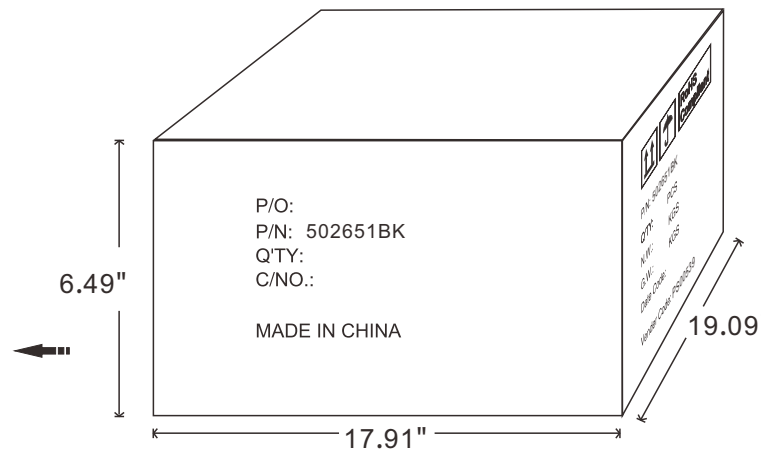
REVISION INFORMATION

Rev.	Rev. Date	Modified By	Brief Description





Unit package  
 Size: 8.46"(L)\*5.7"(W)\*2.95"(H)  
 Weight: 2.244LBS

P/O:  
 P/N: 502651BK  
 Q'TY:  
 C/NO.:  
  
 MADE IN CHINA




Carton Size: 17.91"(L)\*19.09"(W)\*6.49"(H)  
 Carton Quantity: 12pcs  
 Carton Weight: 28.6LBS





**RoHS  
Compliant**

P/N: 502651BK  
 Q'TY: PCS  
 N.W.: KGS  
 G.W.: KGS  
 Date Code:  
 Vender Code: PS00539



DRAWN BY	DATE: 2015/5/21	DESCRIPTION: Flat TV Mount 10~23" Tilt/Swivel Lockable LCD-153 Black
CHECKED BY	SHEET 1 of 2	ITEM NO. 502651BK
APPROVED BY	SCALE 1: 1	REV. 00
		UNIT:mm 