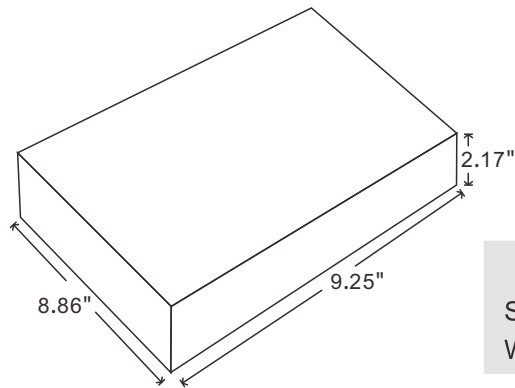


NOTE: CARTON MATERIAL MUST BE A=A

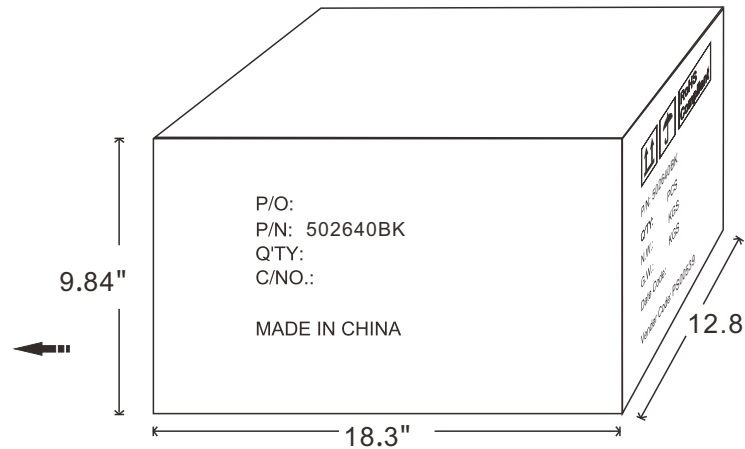
REVISION INFORMATION

Rev.	Rev. Date	Modified By	Brief Description



Unit package  
 Size: 9.25"(L)\*8.86"(W)\*2.17"(H)  
 Weight: 2.86LBS

P/O:  
 P/N: 502640BK  
 Q'TY:  
 C/NO.:  
  
 MADE IN CHINA



Carton Size: 18.3"(L)\*12.8"(W)\*9.84"(H)  
 Carton Quantity: 10pcs  
 Carton Weight: 30.14LBS

**RoHS  
Compliant**

P/N: 502640BK  
 Q'TY: PCS  
 N.W.: KGS  
 G.W.: KGS  
 Date Code:  
 Vender Code: PS00539

DRAWN BY	DATE: 2015/5/21	DESCRIPTION: Flat TV Mount 10~32" Tilt, LCD-201TA, Black
CHECKED BY	SHEET 1 of 2	ITEM NO. 502640BK
APPROVED BY	SCALE 1: 1	REV. 00

UNIT:mm