

Ⓐ		x4	Ⓒ		x4	Ⓔ		x4	Ⓖ		x4	①		x2
Ⓑ		x4	Ⓓ		x4	Ⓕ		x4	Ⓗ		x2	SUPPLIED PARTS		

Supplied joint parts are exclusive for use with this product. Other parts must not be used with this product if any parts are missing or faulty, contact the supplier for a placement.

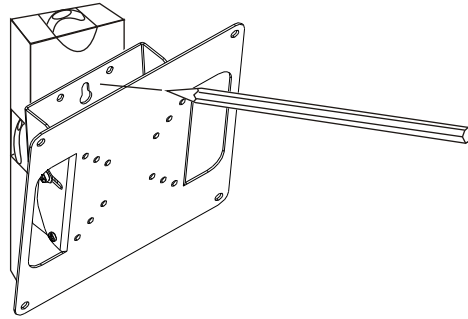
① PRE - DRILL HOLES

SAFETY INSTRUCTIONS

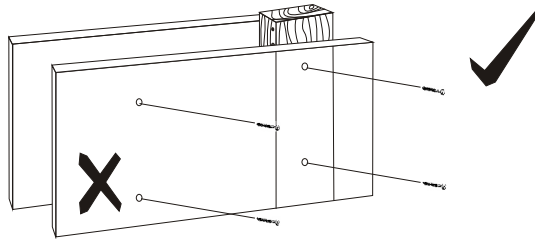
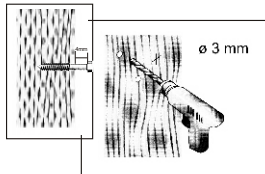
Never fit defective parts.
Only suitable for walls made from: Stone, concrete, blocks + bricks, solid timber or wood supports. If mounting on wood, do not use concrete anchors. The fasteners supplied are only suitable for the types of walls listed above. Walls made from other materials will require different fixing materials.
If you are uncertain about the nature of your wall, consult an expert.

Warning

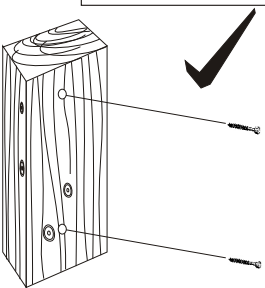
This product must not be used in public areas.
DO NOT mount onto plasterboard or panelled walls unless both screws are fixed into solid batten / stud.



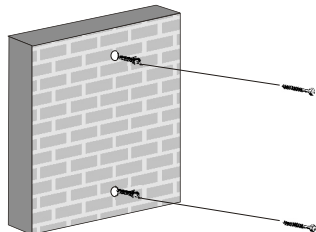
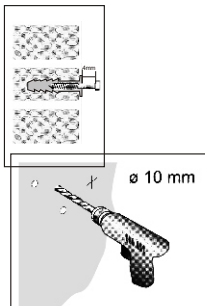
b1



Thread the lag bolts ⑩ in to wall until the distance is 4mm to the surface.



b2



Pre-Drill these holes with a 10mm masonry bit to at least 60mm in depth. Insert a Concrete Anchor ① into each of these holes, Thread the lag bolts ⑩ to Concrete Anchor ① until the distance is 4mm to the surface.

② FIT SCREEN

Attach the TV or monitor to the bracket using the four Ⓐ or Ⓑ or Ⓒ or Ⓓ or Ⓔ or Ⓕ screws provided

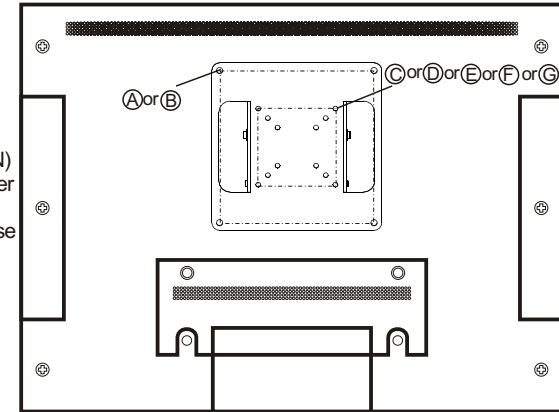
NOTE!

The standard fixing plate suits VESA 75mm and 100mm fixing centres

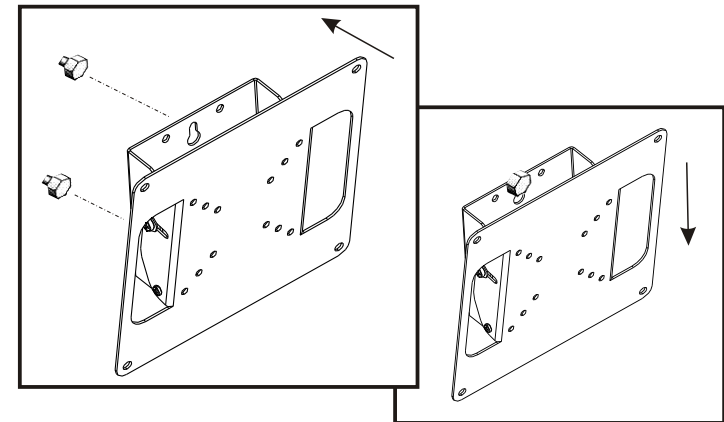
IMPORTANT

IF YOU NEED TO REMOVE THE BASE FROM THE LCD MOUNT FOLLOW THE MANUFACTURERS INSTRUCTIONS.

BACK VIEW OF LCD TV (75mm CENTRES SHOWN)
VESA patterns 200 use either Ⓐ or Ⓑ
VESA patterns 100,75,50 use either Ⓒ or Ⓓ or Ⓔ or Ⓕ



③ FIX TO WALL



If you have any doubts regarding installation consult your supplier or an expert.