

ASSEMBLY INSTRUCTIONS

FOR ADJUSTABLE FLAT PANEL WALL MOUNT

This product is designed to mount LCD TV weighing up to 15kgs to wall.

Safety Warning: Be careful to make sure there are no missing or defective parts. Never use defective parts. Improper installation may cause damage or serious injury.

Note: The included hardware is for mounting on solid brick, concrete or hard wood batten/studs walls. If mounting on wood, do not use any concrete anchor. If you are uncertain about the nature of your wall, consult an expert. Please consult your hardware or installation professional for proper mounting to other types or walls. The supplied hardware is not for steel.

Forbidden Instruction: Do not mount onto plasterboard or paneled walls.

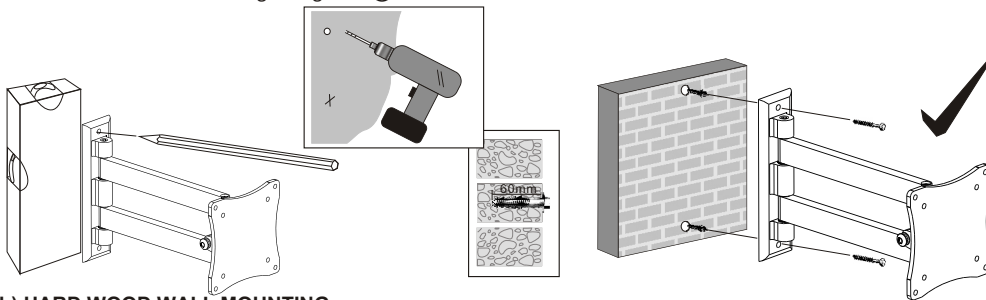
A	5mm	X1	B	M4x13	X4	D	M5x13	X4	F	M5x50	X2	SUPPLIED PARTS: Supplied joint parts are exclusive for using in this product. Other joint parts are forbidden to use on this product. If any parts are missing or faulty, telephone the special franchiser for a placement.
			C	M4x10	X4	E	M5x10	X4	G	Ø8x36	X2	

1 FIX TO WALL

Note: This product should be mounted to solid brick, concrete or hard wood batten/studs wall.

(a) SOLID BRICK AND CONCRETE BLOCK MOUNTING:

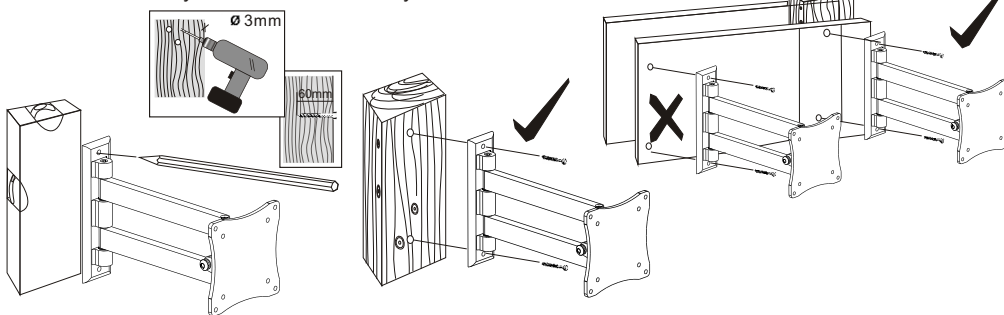
Use the wall plate as a template to mark 2 holes locations on the wall. Pre-Drill these holes with a 10mm masonry bit to at least 50mm in depth. Insert a Concrete Anchor C into each of these holes, Attach the wall Plate to the wall using 2 Lag bolts F



(b) HARD WOOD WALL MOUNTING:

Use the wall plate as a template to mark 2 holes locations on the wall. If the bracket mount onto wood studs wall, please use a high quality stud sensor to locate adjacent stud. It is a good idea to verify whether the holes you mark in the centre of the stud. Attach the wall Plate to the wall using for the 2 Lag Bolts F

Note: Do not use any concrete anchor when you mount the bracket onto hard wood wall.

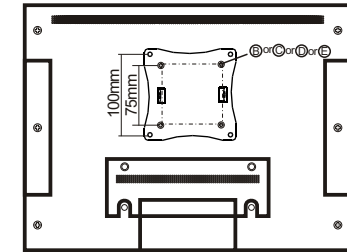


2 FIT SCREEN

Attach the LCD mount to the bracket using the four B or C or D or E screws provided.

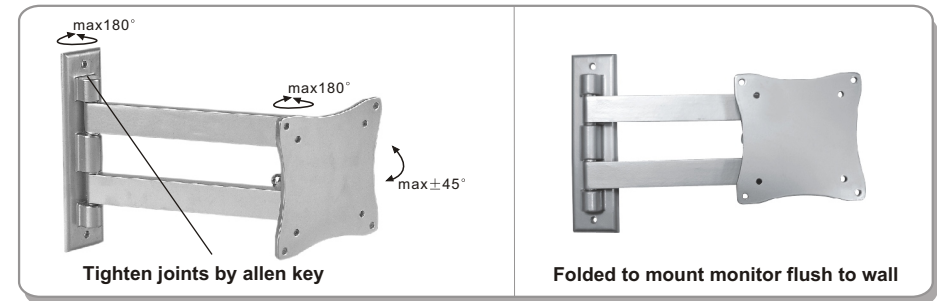
NOTE!

The standard fixing plate suits VESA 75mm and 100mm fixing centres.

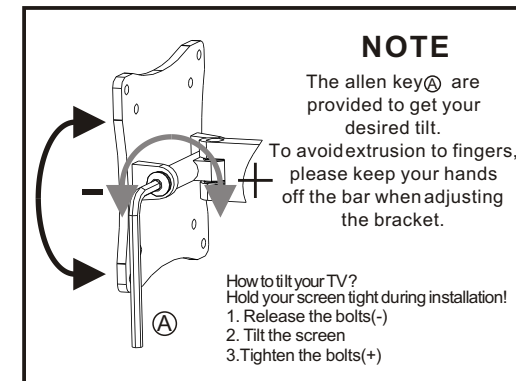


BACK VIEW OF LCD TV
(75mm CENTRES SHOWN)

3 ADJUST



VESA® is registered trademark of the Video Electronics Standards Association



CAUTION: Do not exceed 15kg weight limit

TENDING INSTRUCTION

Please check whether screws are fixed well each two months.

IF YOU HAVE ANY DOUBTS REGARDING INSTALLATION CONSULT OUR SPECIAL FRANCHISER.