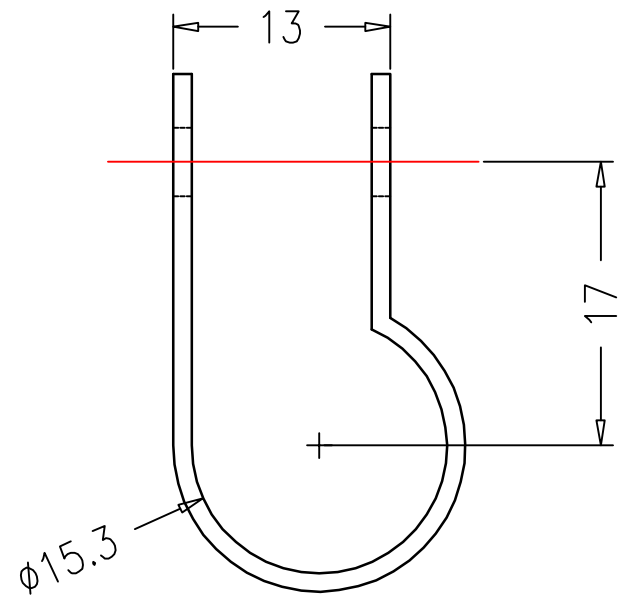
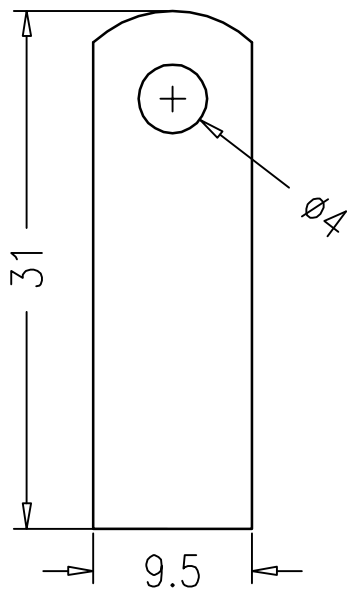



NOTE:ALL MATERIAL COMPLIANT ROHS STANDARD

REVISION INFORMATION		
Rev.Date	Modified By	Brief Description



③				
②				
①	220306CL	R Type Cable Clamp 5/8 " Clear		
NO.	PARTNAME	SPECIFICATION DESCRIPTION	QTY	UNIT


BestLinkNetwork

DRAWN BY	DATE: 2012/7/1	DESCRIPTION: R Type Cable Clamp 5/8 "
CHECKED BY	SHEET 1 of 1	ITEM NO. 5/8R
APPROVED BY	SCALE 1:1	REV. 00    UNIT:mm

