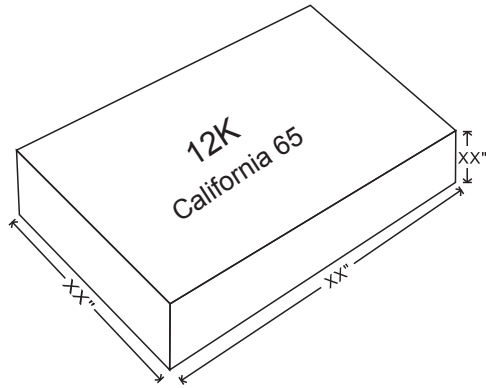



NOTE: CARTON MATERIAL MUST BE A=A


REVISION INFORMATION

Rev.	Rev. Date	Modified By	Brief Description



Side Mark





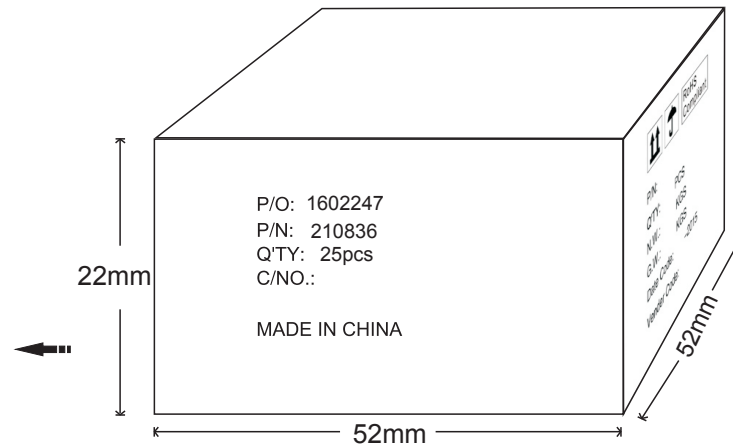
**RoHS
Compliant**


P/N: 210836
 Q'TY: 25 PCS
 N.W.: 14.8 KGS
 G.W.: 18.6 KGS
 Date Code: 53-2016
 Vender Code: PS01261

Main Mark

P/O: 1602247
 P/N: 210836
 Q'TY: 25pcs
 C/NO.:

MADE IN CHINA





DRAWN BY	DATE: 2016/12/29	DESCRIPTION: Wallmount Solar Sensor LED Light 2.4W 270LM,4pc Set
CHECKED BY	SHEET 1 of 2	ITEM NO. 210836
APPROVED BY	SCALE 1 : 1	REV. 00
UNIT:mm		