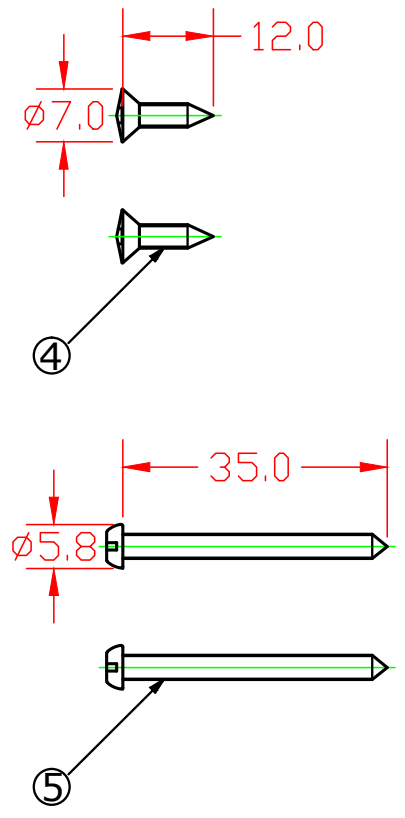
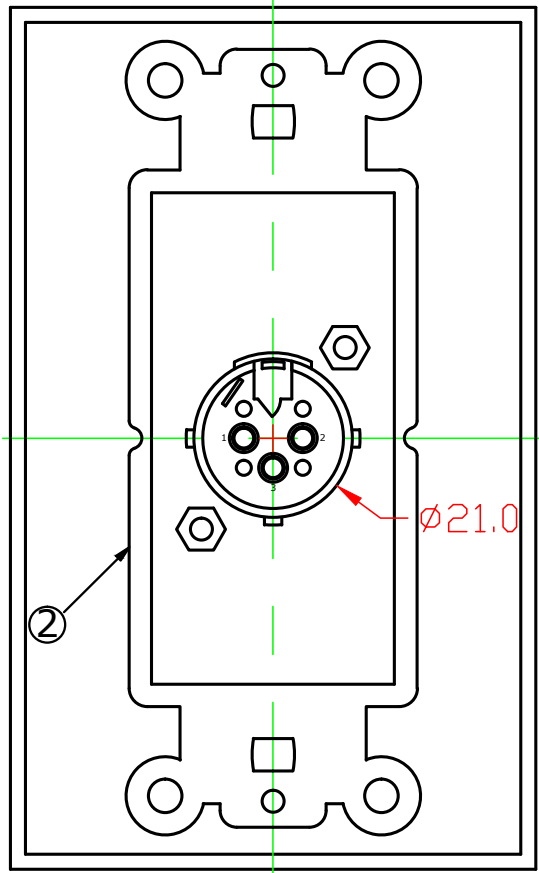
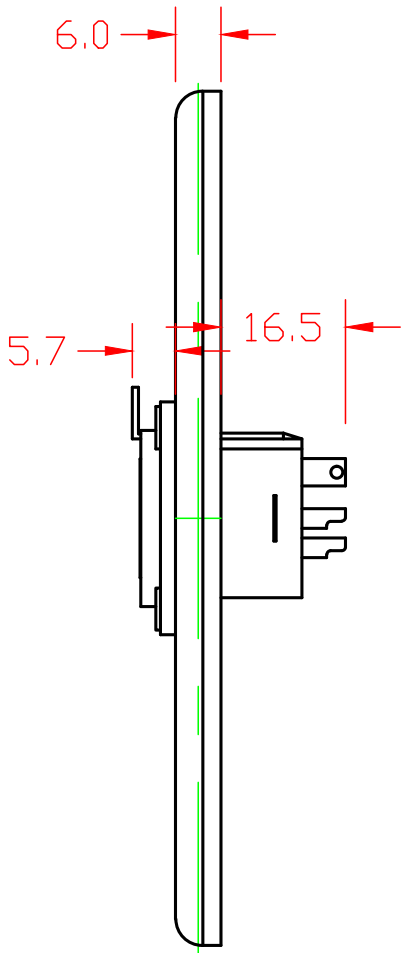
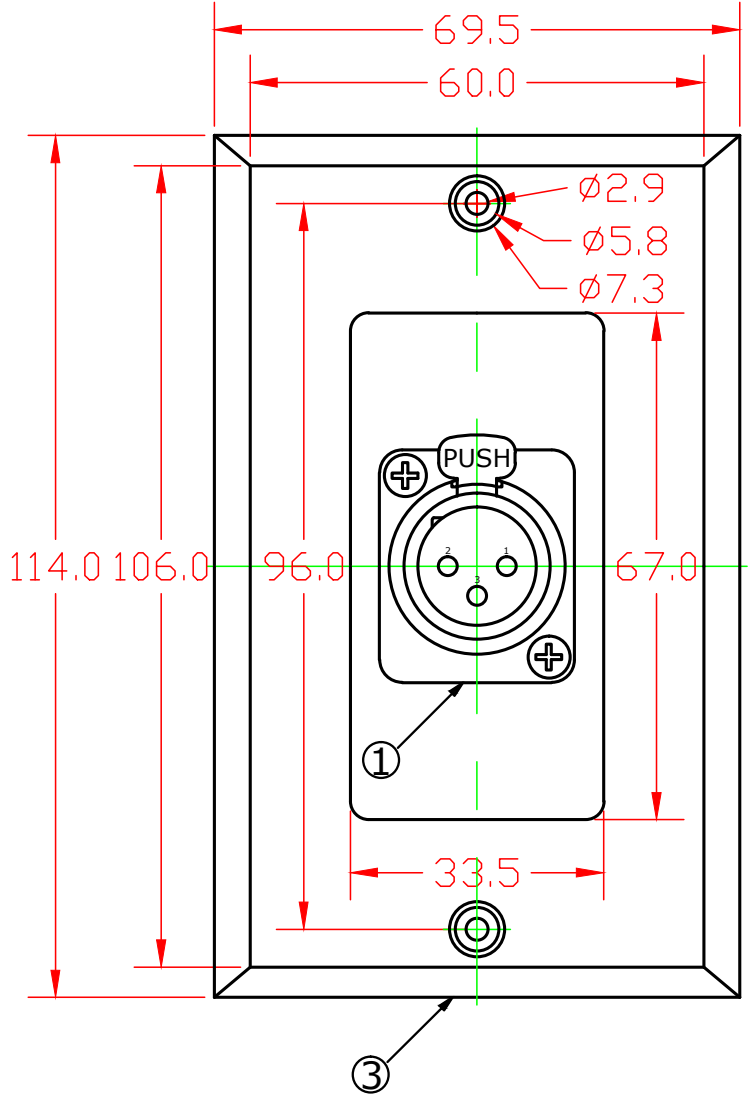


REVISION INFORMATION			
Rev.	Rev. Date	Modified By	Brief Description

**RoHS  
Compliant**



**ELECTRICAL TESTING**  
1. CONDUCTOR RESISTANCE: ≤5Ω 300V DC



DRAWN BY	DATE: 2014/06/11	DESCRIPTION: XLR Female Wall Plate
CHECKED BY	SHEET 1 of 1	ITEM NO. <b>203520WT</b>
APPROVED BY	SCALE 1:1	REV. 00 UNIT: mm

NO.	PART NAME	SPECIFICATION DESCRIPTION	Q'TY	UNIT
⑤	Screw	M3.2X35/ Steel	2	PCS
④	Screw	M3.3X12/ Steel	2	PCS
③	Wall Plate	ABS White	1	PC
②	Inner Cover	ABS White	1	PC
①	XLR Female Connector	XLR Female	1	PC