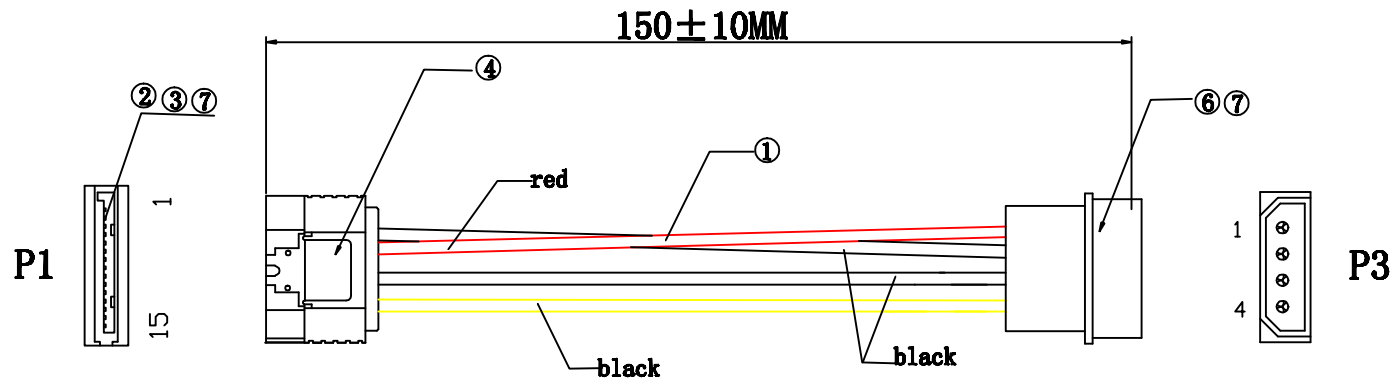


NOTE: ALL MATERIAL COMPLIANT ROHS STANDARD

REVISION INFORMATION			
Rev.	Rev. Date	Modified By	Brief Description



1. Date List

No.	Item	Detail	UNIT	QTY
1	wire	UL 1007 (41/2.16TC)18AWG black yellow red	PCS	8
2	connector	SATA-15P black housing Riveting	PCS	2
3	terminal	SATA 15P half gold-plated	SETS	10
4	clip	SATA 15P SATA 7P Stainless steel clip	PCS	2
5	housing	big 4p white shell male	PCS	2
6	terminal	big 4p female	PCS	8
7	pvc	PVC 45P black robe	PCS	2

WIRE CHANT	
CON1	CON2
PIN1	PIN1-3
PIN2	PIN4-6
PIN3	PIN7-9
PIN4	PIN10-12
	PIN13-15



DRAWN BY	DATE: 2012/08/25	DESCRIPTION: SATA Power cable
CHECKED BY	SHEET 1 of 1	ITEM NO. 180743
APPROVED BY	SCALE 1:1	REV. 00 UNIT: mm