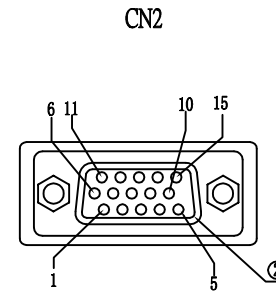
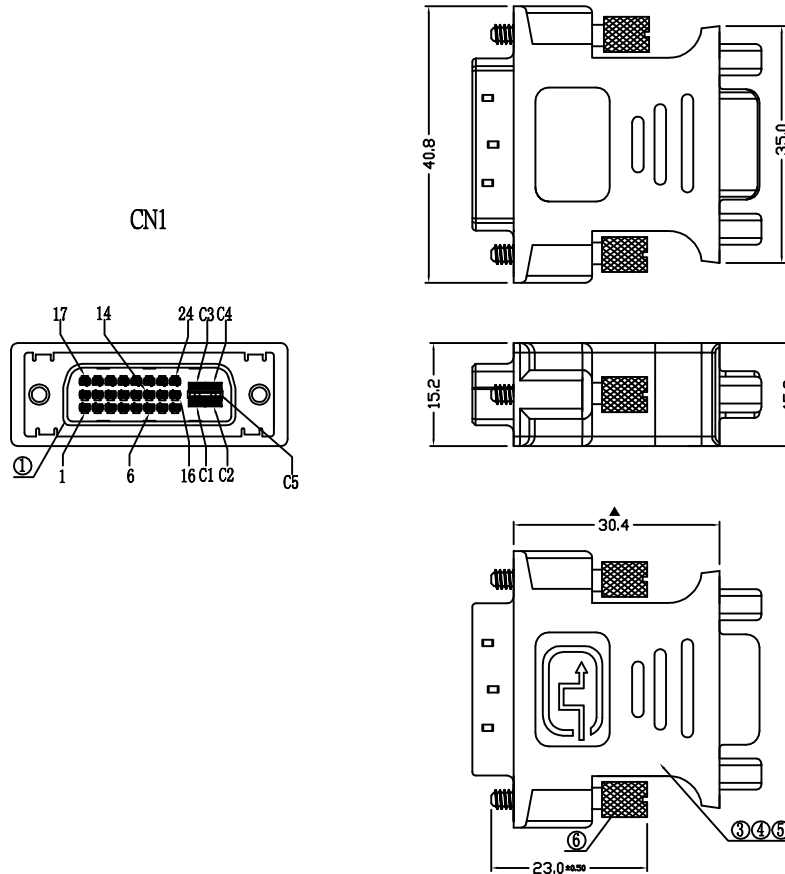
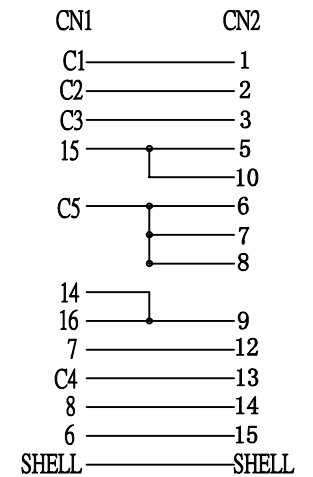


NOTE:ALL MATERIAL COMPLIANT ROHS STANDARD

REVISION INFORMATION			
Rev.	Rev. Date	Modified By	Brief Description



WIRE DIAGRAM



NOTE:

- 100% short/open circuited&wrong connection test conditions.
- Conduction impedance  $\leq 5\Omega$ , Insulation resistance  $\geq 10M\Omega$ . High voltage test, DC300V/10mS
- Products using PCB board connection
- Marked with ▲ which is important measurement dimensions

①	CONN	DVI M (12+5) CONNECOR GOLD PLATED	1	PCS
②	CONN	VGA 15P F CONNECOR GOLD PLATED	1	PCS
③	THE CONNECTION	PCB CONNECTION T=1.6MM	1	PCS
④	PVC	MOLDED 45P PVC BLACK	5.1	G
⑤	PVC	MOLDED 45P PVC BLACK	11.7	G
⑥	SCREWS	NICKEL PLATED	2	PCS
NO.	PART NAME	SPECIFICATION DESCRIPTION	QTY	UNIT

Unless specified on the drawing, tolerances are per the follows:

.	+1
.x	+0.2
.xx	+0.05



DRAWN BY	DATE: 2016/06/23	DESCRIPTION: DVI-I Dual Link Male (24+5) / VGA (DB15HD) Female Adapter Gold palated	
CHECKED BY	SHEET 1of1	ITEM NO. 180644	
APPROVED BY	SCALE 1:1	REV. 00	UNIT:mm