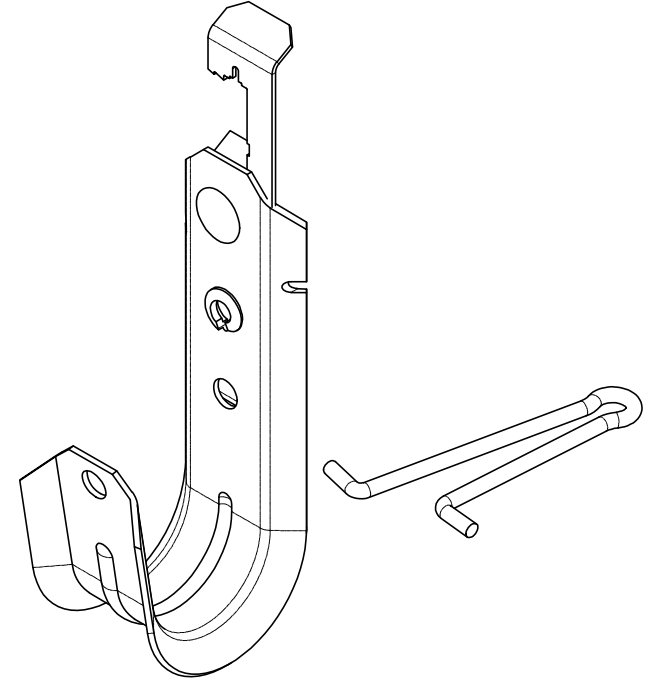
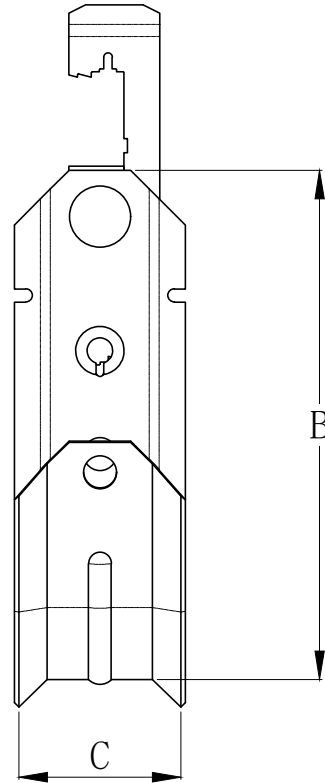
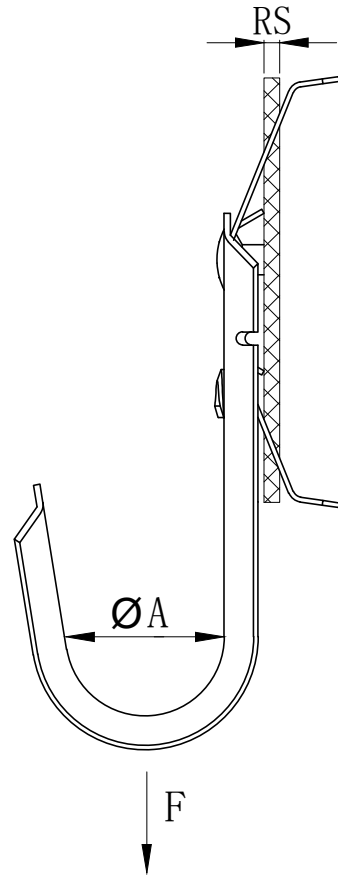


Catalog Number	B	C	Rod Size(RS)	Diameter(ΦA)	Cable capacity Cat 6/Cat 5e/Fiber Optic	Static Load(F)	Standard Box Quantity	Retaining Clip
104238	79.3 [3.12]	22.0 [0.87]	1/4"	3/4"	10/16/16	60LBS	50	/
104239	107.3 [4.22]	34.1 [1.34]	1/4"	1-5/16"	30/50/50	60LBS	50	104241, 1-5/16"
104240	118.0 [4.65]	35.0 [1.38]	1/4"	2"	50/80/80	60LBS	50	104242, 2"
	178.0 [7.01]	49.0 [1.93]	1/4"	4"	185/300/300	60LBS	25	

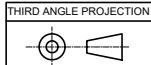
104238: Carton Packing Only.

104239/104240: Carton Packing, Retaining Clip packed in one PE self-sealing bag then into carton.




**NOTES:**

1. Material: J HOOK: Pre galvanized steel (G60) , Thickness: 1.20mm [0.047] .  
Bat Wing: C1065 steel .Thickness:1.00mm[0.039],Finish: Black E-coating;
2. Wire retainer available



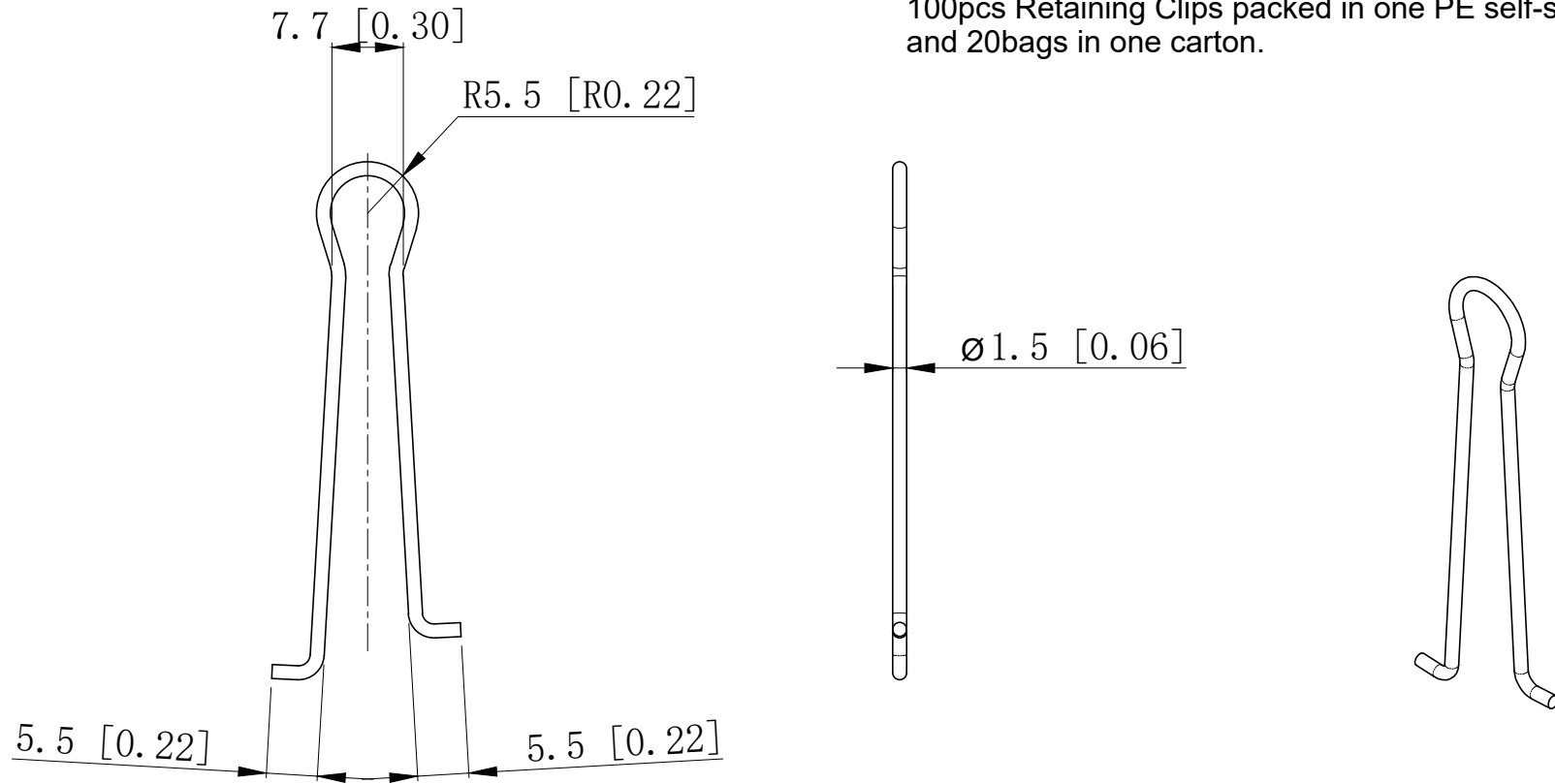
MATERIAL	Pre galvanized (G60)
FINISH	NO OIL

		NAME	DATE			
DRAMN		YUAN	2022. 8. 17			
CHECKED				TITLE <b>J HOOK WITH BATWING</b>		
APPROVED (A)						
APPROVED (Customer)				SIZE	DWG NO.	REV
				A4	104238/104239/104240	
SCALE: 1:1		PRINT DATE	REFERENCES	SHEET 1 OF 1		

# 1-5/16" J Hook Retaining Clip

## PACKAGE:

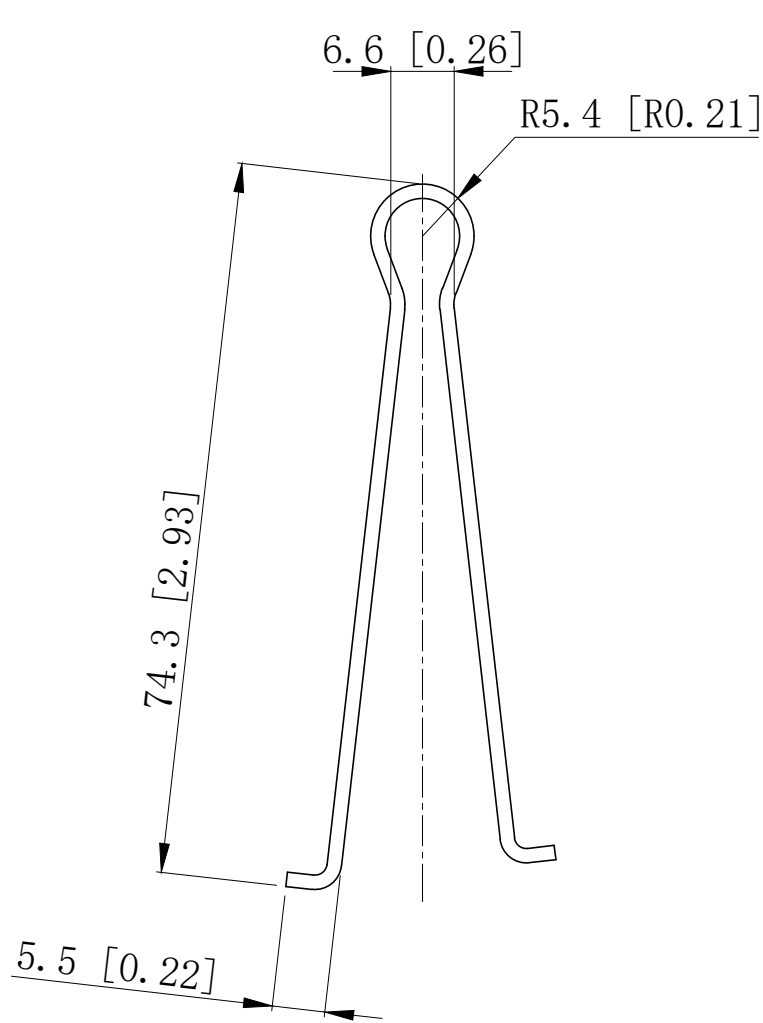
100pcs Retaining Clips packed in one PE self-sealing bag and 20bags in one carton.



### NOTES:

- 1.All dimensions in millimeters and [inches].
- 2.Free of sharp edge and burrs.max burr 0.127[0.005].
- 3.Material: Galvanized steel wire , Thickness: Ø1.50mm [0.059] .

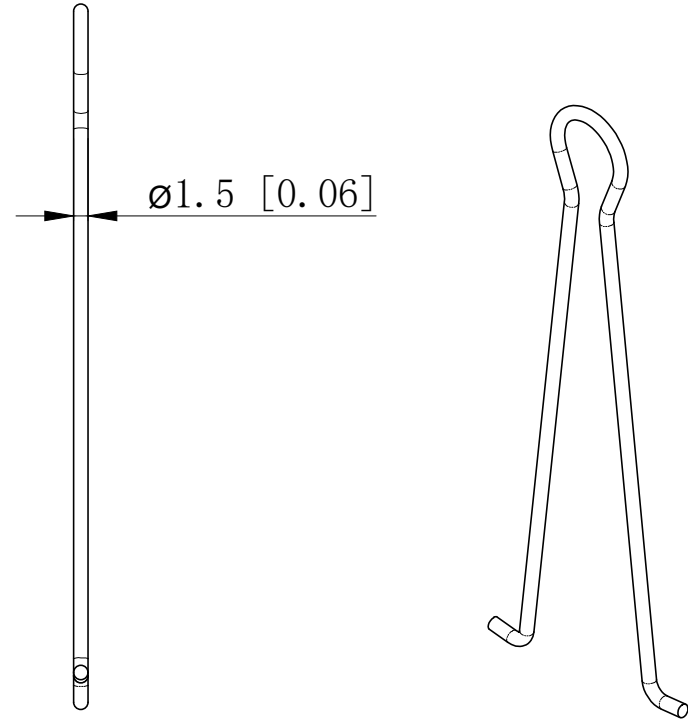
TOLERANCES UNLESS OTHERWISE SPECIFIED		NAME	DATE	BESTLINK NETWORKARE	
INCHES	MILLIMETER	DRAMN	YUAN	2022.8.17	TITLE
ANGULAR:	ANGULAR:	CHECKED			
X.X: ±0.1	X: ±2.54	APPROVED (A)			SIZE DWG NO. 104241 REV
X.XX: ±0.05	X.X: ±1.27	APPROVED (Customer)			
X.XXX: ±0.008	X.XX: ±0.203	CADDY	ORBIT	RACO	SCALE: 1:1
MATERIAL	FINISH				PRINT DATE
Galvanized steel wire	NO OIL				REFERENCES
THIRD ANGLE PROJECTION					SHEET 1 OF 1



### 2" J Hook Retaining Clip

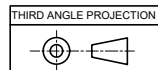
#### PACKAGE:

100pcs Retaining Clips packed in one PE self-sealing bag and 20bags in one carton.



#### NOTES:

- 1.All dimensions in millimeters and [inches].
- 2.Free of sharp edge and burrs.max burr 0.127[0.005].
- 3.Material: Galvanized steel wire , Thickness: Ø1.50mm [0.059] .



TOLERANCES UNLESS OTHERWISE SPECIFIED		NAME		DATE			
INCHES	MILLIMETER	DRAMN	YUAN	2022.8.17			
ANGULAR:	ANGULAR:	CHECKED					
X.X: ±0.1	X: ±2.54	APPROVED (A)					
X.XX: ±0.05	X.X: ±1.27	APPROVED (Customer)					
X.XXX: ±0.008	X.XX: ±0.203						
MATERIAL		CADDY		ORBIT		RACO	
Galvanized steel wire		-		-		-	
FINISH		NO OIL				SIZE	DWG NO.
						A4	104242
						SCALE: 1:1	PRINT DATE
						REFERENCES	REV
							SHEET 1 OF 1