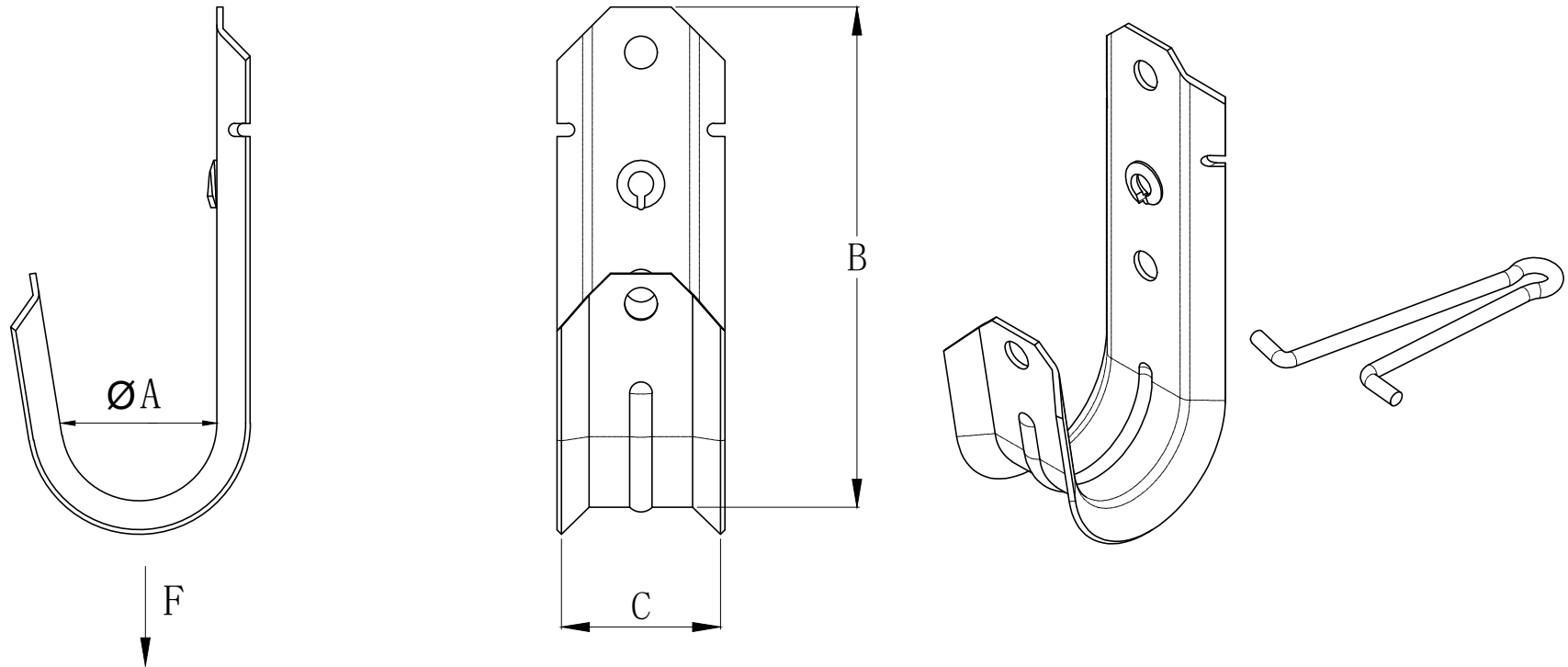


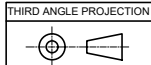
Catalog Number	B	C	Diameter( $\Phi$ A)	Cable capacity Cat 6/Cat 5e/Fiber Optic	Static Load(F)	Standard Box Quantity	Retaining Clip
104234	79.3 [3.12]	22.0 [0.87]	3/4"	10/16/16	60LBS	50	/
104235	107.3 [4.22]	34.1 [1.34]	1-5/16"	30/50/50	60LBS	50	104241, 1-5/16"
104236	118.0 [4.65]	35.0 [1.38]	2"	50/80/80	60LBS	50	104242, 2"

104234: Carton Packing Only.  
104235/104236: Carton Packing, Retaining Clip packed in one PE self-sealing bag then into carton.



**NOTES:**

- 1. Material: Pre galvanized steel (G60) , Thickness: 1.20mm [0.047] .
- 2. Wire retainer available



MATERIAL	Pre galvanized (G60)
FINISH	NO OIL

	NAME	DATE
DRAMN	YUAN	2022. 8. 17
CHECKED		
APPROVED (A)		
APPROVED (Customer)		

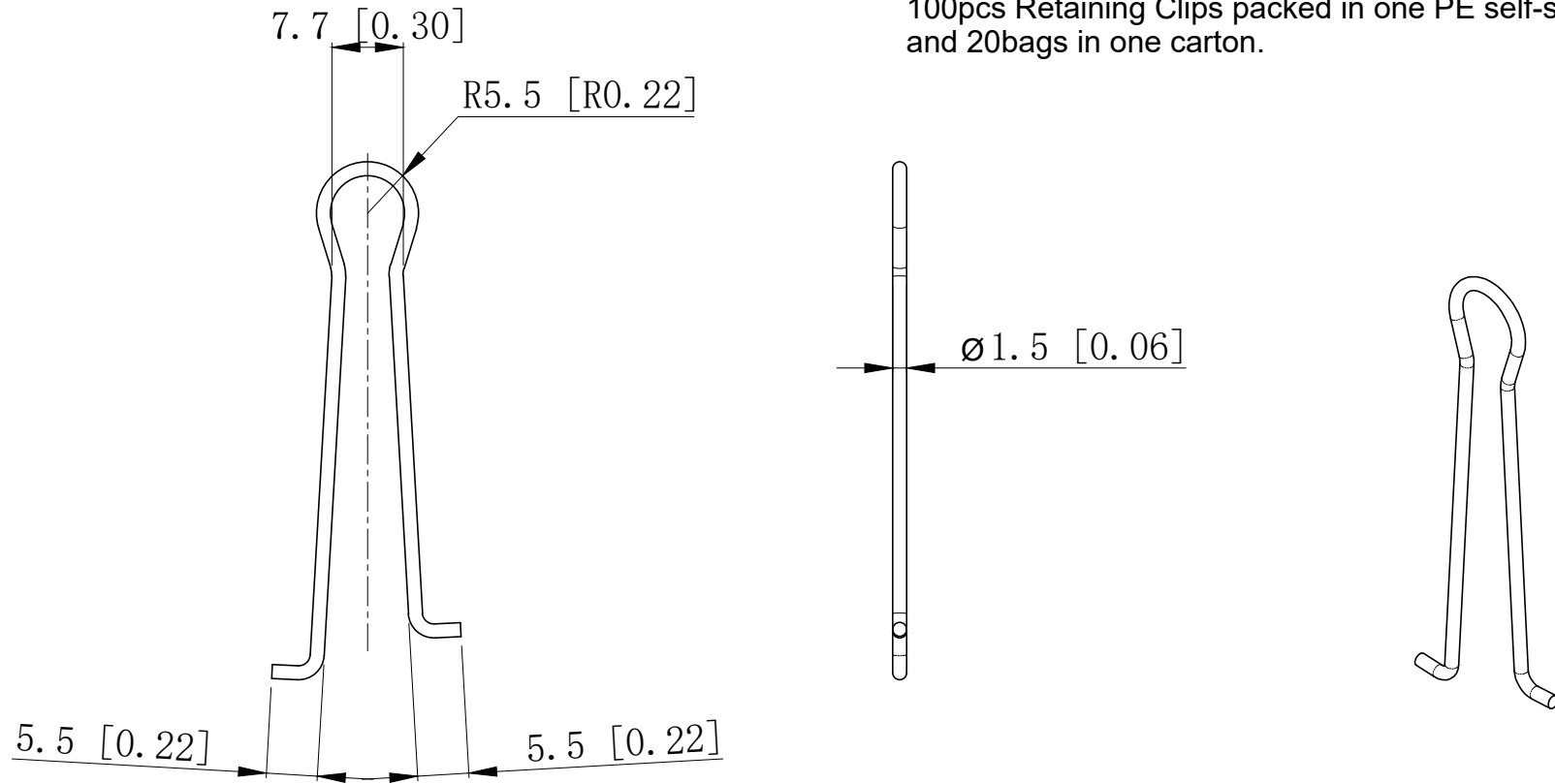


TITLE			
BASIC J HOOK			
SIZE	DWG NO.	REV	
A4	104234/104235/104236		
SCALE: 1:1	PRINT DATE	REFERENCES	SHEET 1 OF 1

# 1-5/16" J Hook Retaining Clip

## PACKAGE:

100pcs Retaining Clips packed in one PE self-sealing bag and 20bags in one carton.



### NOTES:

- 1.All dimensions in millimeters and [inches].
- 2.Free of sharp edge and burrs.max burr 0.127[0.005].
- 3.Material: Galvanized steel wire , Thickness: Ø1.50mm [0.059] .

TOLERANCES UNLESS OTHERWISE SPECIFIED		NAME	DATE	BESTLINK NETWORKARE	
INCHES	MILLIMETER	DRAMN	YUAN	2022.8.17	TITLE
ANGULAR:	ANGULAR:	CHECKED			
X.X: ±0.1	X: ±2.54	APPROVED (A)			SIZE DWG NO. 104241 REV
X.XX: ±0.05	X.X: ±1.27	APPROVED (Customer)			
X.XXX: ±0.008	X.XX: ±0.203	CADDY	ORBIT	RACO	SCALE: 1:1
MATERIAL	FINISH				PRINT DATE
Galvanized steel wire	NO OIL				REFERENCES
THIRD ANGLE PROJECTION					SHEET 1 OF 1

