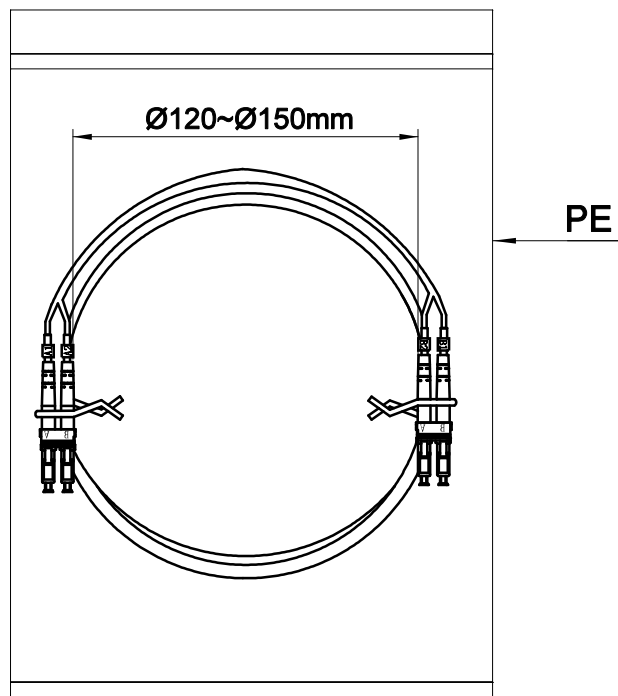
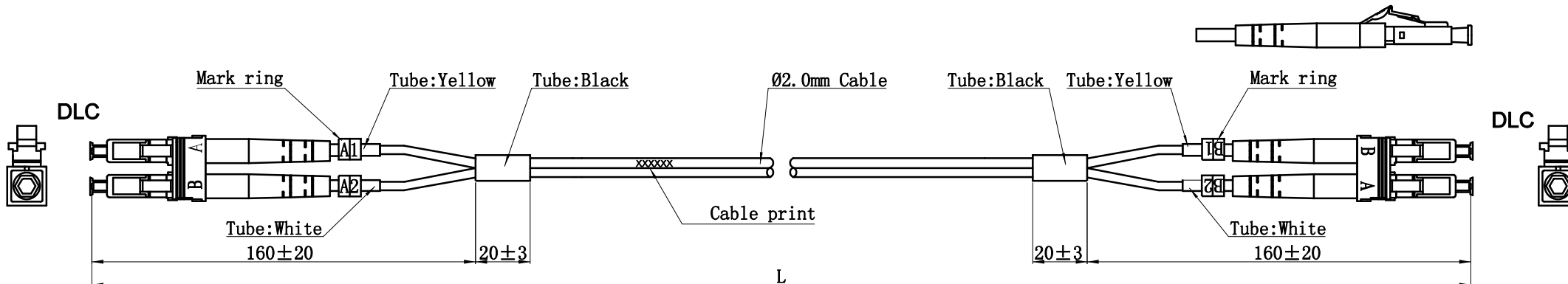


NOTE:ALL MATERIAL COMPLIANT ROHS STANDARD

REVISION INFORMATION

Rev.	Rev. Date	Modified By	Brief Description



Specifications:

Type	DLC/UPC-DLC/UPC
Fiber Mode	OM4
Core Diameter(um)	50/125
Operating Wavelength(nm)	850/1300
Cable Color	Violet
Cable Diameter(mm)	Ø2.0
Operating Temperature(°C)	-25~+70
Storage Temperature(°C)	-25~+70
Insertion loss(dB)	≤ 0.3
Return loss(dB)	≥ 35

L≤10m, TOLERANCES:0≤ΔL≤10cm
 L> 10m, TOLERANCES:0≤ΔL≤1%*L

Remarks:

Length	ITEM NO.	Length	ITEM NO.
L=1M	102957	L=20M	102970
L=1.5M	102958	L=25M	102971
L=2M	102959	L=30M	102972
L=3M	102960	L=35M	102973
L=4M	102961	L=40M	102974
L=5M	102962	L=50M	102975
L=6M	102963		
L=7M	102964		
L=8M	102965		
L=9M	102966		
L=10M	102967		
L=12M	102968		
L=15M	102969		



NO.	PART NAME	SPECIFICATION DESCRIPTION	QTY	UNIT
③				
②				
①				

Unless specified on the drawing, tolerances are per the follows:

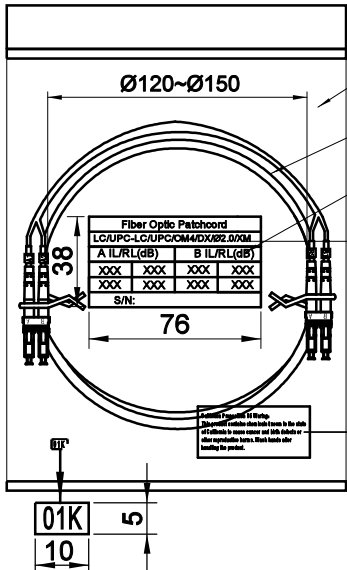
.	+1
.x	+0.2
.xx	+0.05

DRAWN BY	DATE: 2018/03/12	DESCRIPTION: LC-LC-DX OM4 Patchcord
CHECKED BY	SHEET 1 of 2	ITEM NO.
APPROVED BY	SCALE 1:1	REV. 00
		UNIT:mm

NOTE: CARTON MATERIAL MUST BE A=A

REVISION INFORMATION

Rev.	Rev. Date	Modified By	Brief Description



PE bag

DLC-DLC Double Patchcord

Label

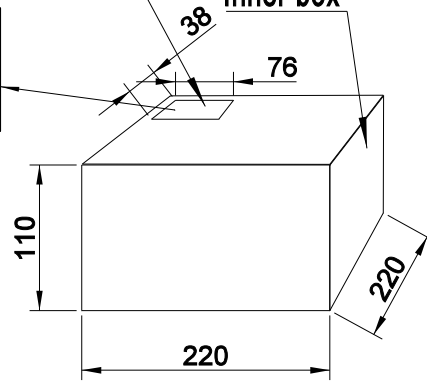
Fiber Optic Patchcord			
LC/UPC-LC/UPC/OM4/DX/Ø2.0/XM			
A IL/RL(dB)		B IL/RL(dB)	
XXX	XXX	XXX	XXX
XXX	XXX	XXX	XXX
S/N:			

Fiber Optic Patchcords
LC/UPC-LC/UPC/OM4/DX/2.0mm/XM
ITEM NO.
XXpcs

50
20
California Proposition 65 Warning:
This product contains chemicals known to the state of California to cause cancer and birth defects or other reproductive harms. Wash hands after handling the product.

Label box

Inner box



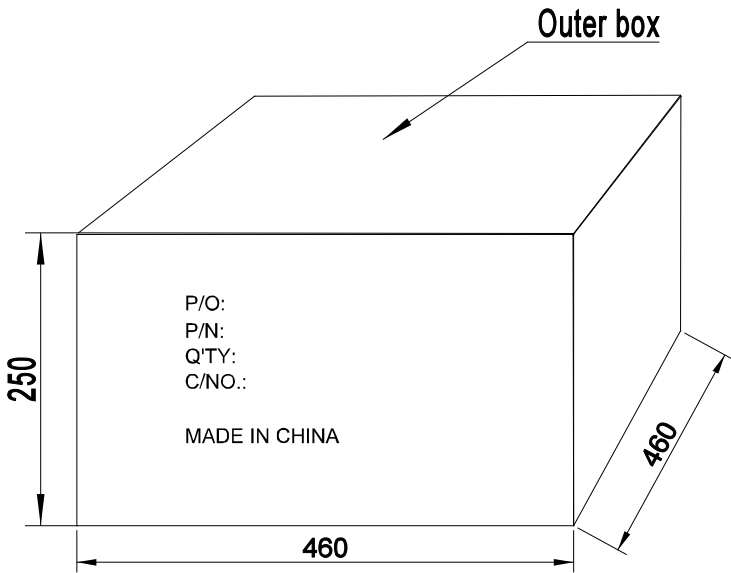
Remarks:

Length	ITEM NO.	Length	ITEM NO.
L=1M	102957	L=20M	102970
L=1.5M	102958	L=25M	102971
L=2M	102959	L=30M	102972
L=3M	102960	L=35M	102973
L=4M	102961	L=40M	102974
L=5M	102962	L=50M	102975
L=6M	102963		
L=7M	102964		
L=8M	102965		
L=9M	102966		
L=10M	102967		
L=12M	102968		
L=15M	102969		

(The label on the PE bag of reverse side of the lower right corner)

Packing list:

Length (m)	PE bag size (inches)	Box number	Box weight (LBS)	A large number of packing box	Big box weight(LBS)
1	7*7	40	2.26	8	19.84
1.5	7*7	30	2.30	8	20.38
2	7*7	30	2.37	8	20.94
3	8*8	25	2.45	8	21.60
4	8*8	20	2.50	8	21.90
5	8*8	20	2.53	8	22.04
6	8*8	18	2.53	8	22.04
7	8*8	18	2.53	8	22.04
8	8*8	18	2.53	8	22.04
9	8*8	18	2.60	8	22.78
10	8*8	15	2.53	8	22.04
12	8*8	12	2.53	8	20.04
15	8*8	10	2.53	8	20.04
20	8*8	8	2.65	8	23.18
25	9*9	7	2.70	8	23.40
30	9*9	6	2.65	8	23.18
35	9*9	5	2.70	8	23.40
40	9*9	4	2.73	8	23.60
50	11*11	2	2.73	8	23.60



Outer box



P/N:
Q'TY: PCS
N.W.: KGS
G.W.: KGS
Date Code: 35-2011
Vender Code: PS01201

P/O:
P/N:
Q'TY:
C/NO.:

MADE IN CHINA

Carton Size: 18.11(L)*18.11(W)*9.84(H) Inches
Carton Quantity: XXpcs
Carton Weight: XXLBS

BESTLINK
NETWORKARE

DRAWN BY	DATE: 2018/03/12	DESCRIPTION: LC-LC-DX OM4 Patchcord
CHECKED BY	SHEET 1 of 1	ITEM NO.
APPROVED BY	SCALE 1 : 1	REV. 00 UNIT:mm