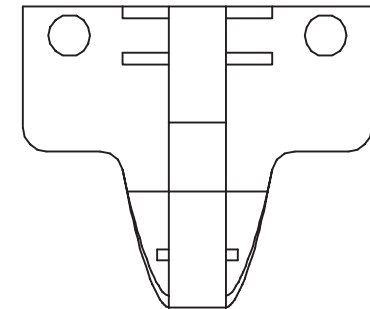
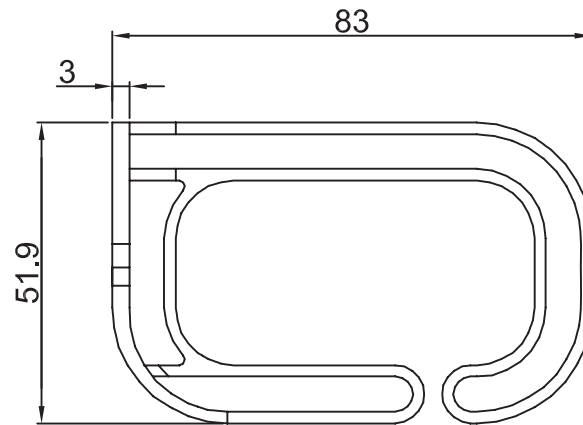
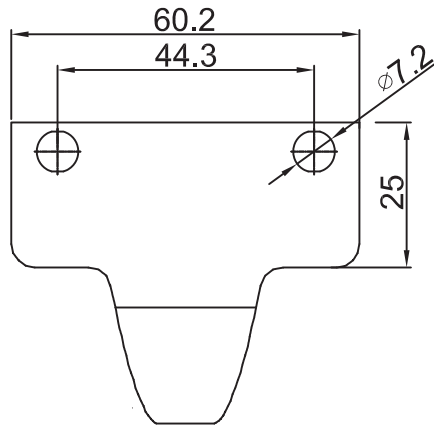
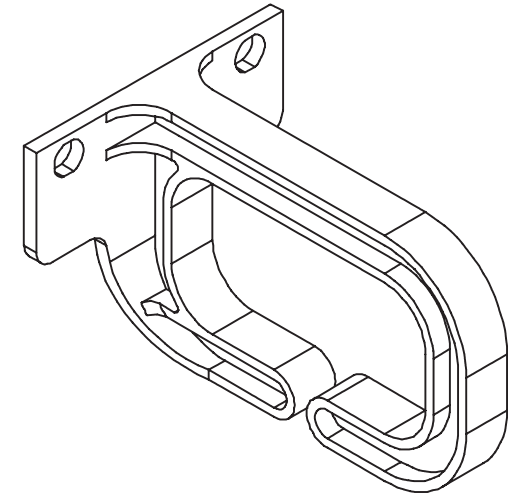
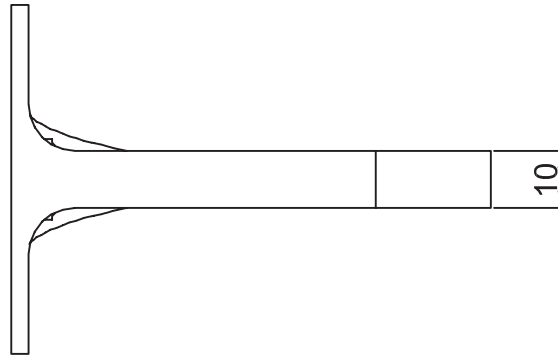



NOTE: ALL MATERIAL COMPLIANT ROHS STANDARD

REVISION INFORMATION			
Rev.	Rev. Date	Modified By	Brief Description
1	2017-02-28	ZXY	Change content of the label on the the box
2	2017-08-04	ZXY	bear the weight 28LBS



MATERIAL
 Housing:PC
 COLOR:WHITE,BLACK
 Temperature:-40℃~68℃
 Humidity:10%~90%RH
 bear the weight :28LBS

NO.	PART NAME	SPECIFICATION DESCRIPTION	QTY	UNIT
②	Screw package	Steel	2	PCS
①	Housing Material	Polycarbonate Black	1	PCS



DRAWN BY	WLL	DATE:	2017.8.4	DESCRIPTION:	Cable Hanger Small
CHECKED BY		SHEET	1 of 1	ITEM NO.	102259
APPROVED BY		SCALE	1:2	REV.	01
				UNIT:	mm