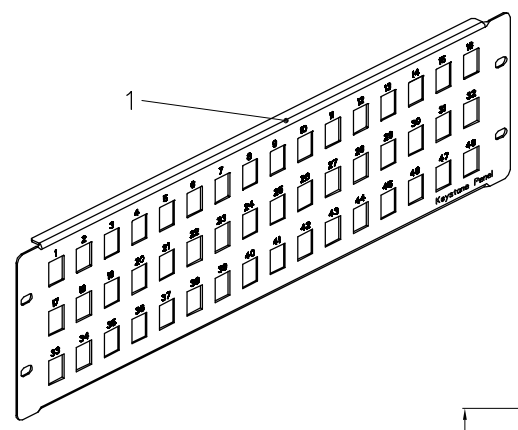
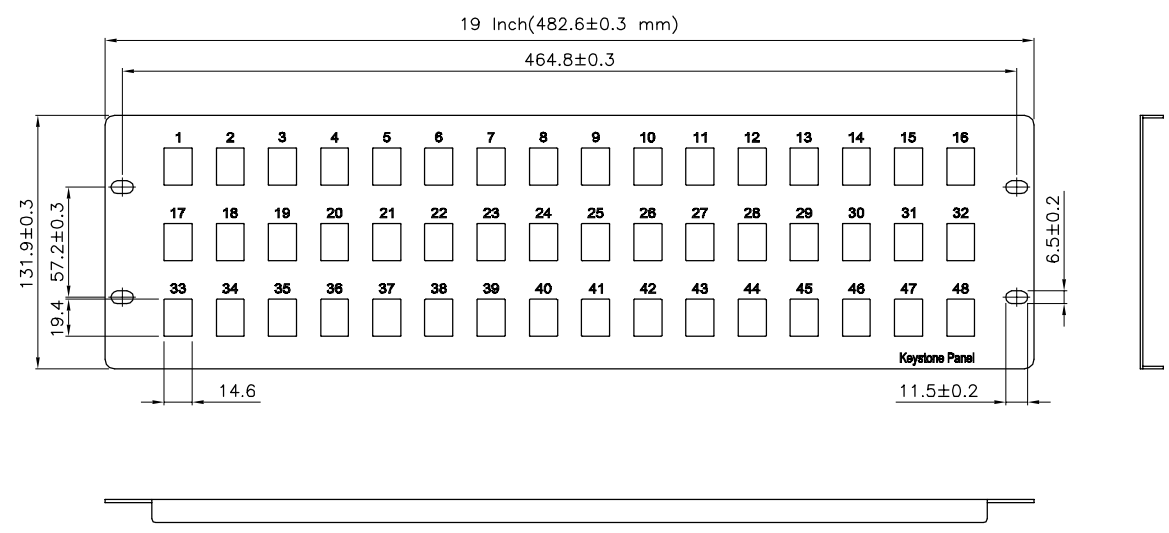


NOTE: ALL MATERIAL COMPLIANT ROHS STANDARD

REVISION INFORMATION			
Rev.	Rev. Date	Modified By	Brief Description



SCALE 1/4



Specification :

Material :
 1. Panel : SPCC, 1.5 mm thickness with Black color painted.



NO.	PART NAME	SPECIFICATION DESCRIPTION	QTY	UNIT
③				
②				
①				

DRAWN BY	DATE: 2012/08/25	DESCRIPTION: 3U 19" 48port Blank Panel for Keystone Jack		
CHECKED BY	SHEET 1 of 1	ITEM NO. 102224		
APPROVED BY	SCALE 1:1	REV. 00	UNIT: mm	