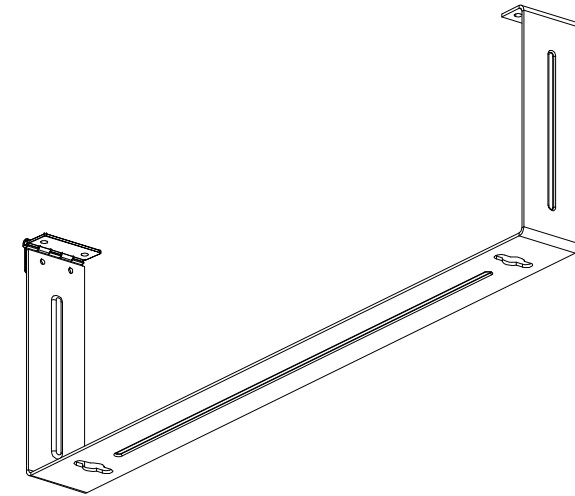
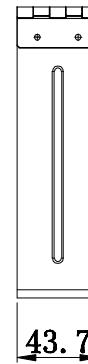
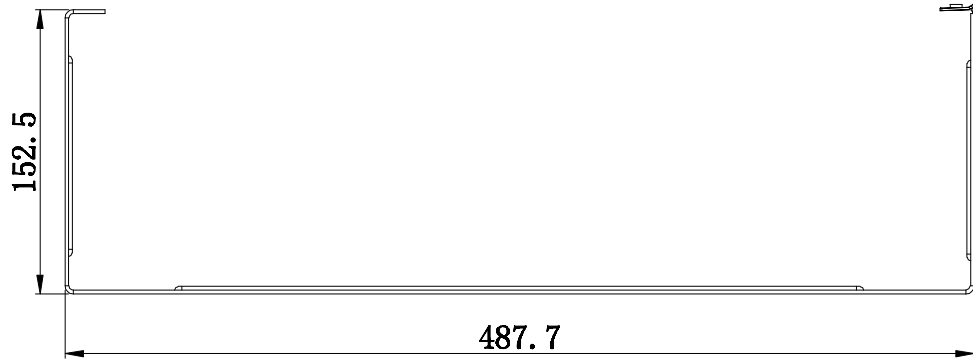
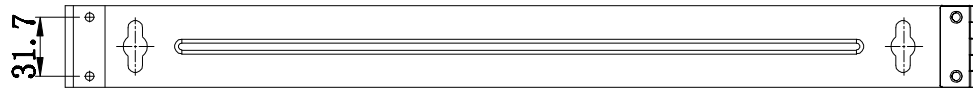


NOTE:ALL MATERIAL COMPLIANT ROHS STANDARD

REVISION INFORMATION

Rev.	Rev.Date	Modified By	Brief Description



Specification

1. Patch Panel: metal 1U.
2. Color: black.
3. Material: SEEC galvanized iron panel.
4. Operation Temperature : -10°C to 60°C.
5. Certifications: ANSI/TIA/EIA-310.



③				
②				
①	Patch Panel	SEEC, metal 1U	1	Pcs
NO.	PART NAME	SPECIFICATION DESCRIPTION	QT' Y	UNIT

DRAWN BY	DATE: 2012/08/20	DESCRIPTION: Hinged Wall Bracket management 1U	
CHECKED BY	SHEET 1of1	ITEM NO.	
APPROVED BY	SCALE 1:1	REV. 00	UNIT: mm